



Glenair Fiber Optic Kits for Termination, Inspection, Cleaning and Testing

187-017 for 181-001 & 181-002 (MIL-PRF-29504/4 and /5) Termini
187-018 for GFR 181-011 & 181-012 Termini

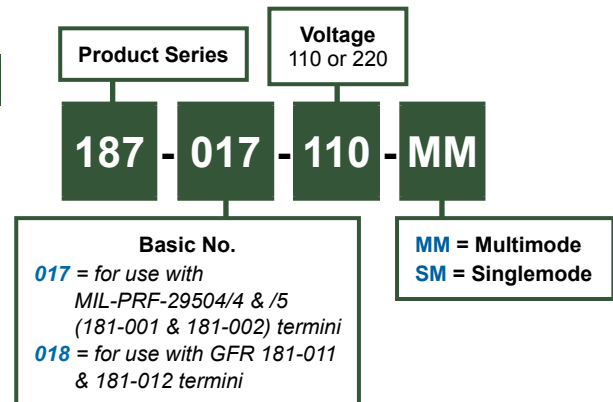
Fiber optic termination kit for field termination and repair of optical interconnects



- Turn-Key Termination of MIL-PRF-29504/4 and /5 Fiber Termini or Glenair Front Release (GFR) 181-011 & 181-012 Termini
- Singlemode or Multimode
- 110 Volt or 220 Volt
- Complete Kit With All Tools, Instruments and Consumables
 - Power Meter
 - LED Source
 - 200X Microscope
 - Polishing Media
 - Curing Oven
 - Hand Tools
 - Epoxies, Wipes and Swabs

Our termination kit allows field technicians the convenience of on-site optical fiber termination. Each kit contains jacket strippers, polishing tools, hand tools, light source, power meter and microscope as well as a full complement of consumables including epoxy, polishing media, swabs and adhesives.

How To Order



Glenair: Your source for fiber optic kits

Glenair offers a full range of kits for fiber optic interconnect systems. Kits include components for all aspects of fiber optic system management including:

- Termination
- Inspection
- Cleaning
- Testing

Kits can be configured to your specifications with components designed for your specific fiber optic interconnect system. Contact the factory for details.

