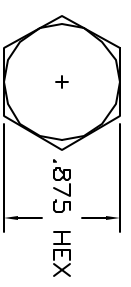
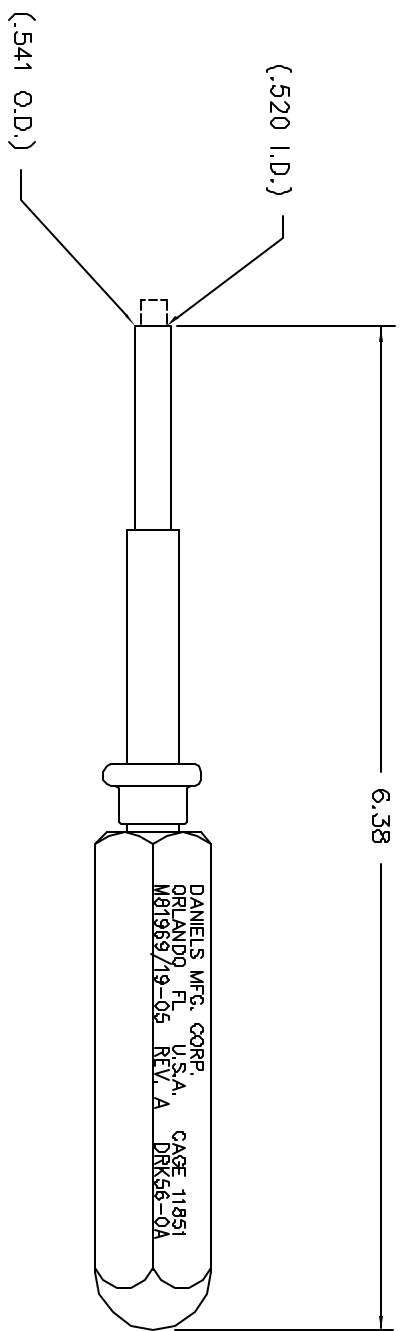


REVISIONS				
REV. SYM.	E.C.O. NUMBER	DESCRIPTION	BY DATE	APP'D DATE
1		ORIGINAL RELEASE	KMS 4/29/87	DKG 4/87



RESTRICTED & CONFIDENTIAL		ITEM	PART NO.	QTY.	DESCRIPTION/REMARKS
CONFIDENTIAL PROPERTY OF DANIELS MANUFACTURING CORP. NOT TO BE REPRODUCED OR DISCLOSED TO OTHERS, REPRODUCED OR USED FOR ANY OTHER PURPOSE EXCEPT AS AUTHORIZED IN WRITING BY DANIELS MANUFACTURING CORP. ON COMPLETION OF ORDER OR OTHER PURPOSE FOR WHICH LENT.		DRN.	KMS	DATE 4/29/87	DMC DANIELS MANUFACTURING CORP. ORLANDO, FLORIDA CASE 11851
		CHK'D.	DC	DATE 4/29/87	
		HEAT TREAT			
		APPROV'D.			
		APPROV'D.			
		FINISH			
DO NOT SCALE DRAWING					

**UNCONTROLLED DOCUMENT
WILL NOT BE UPDATED**

TITLE	SIZE	SCALE	CAD P/N	SHEET	REV.
REMOVAL TOOL #0 (M81969/19-05 REV. A) ENVELOPE DRAWING	B	NTS	DRK56-0A-ENV	1	1
WHERE USED:	POSTING		P/N		
			DRK56-0A-ENV		