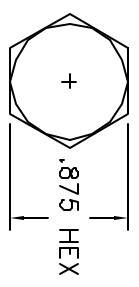
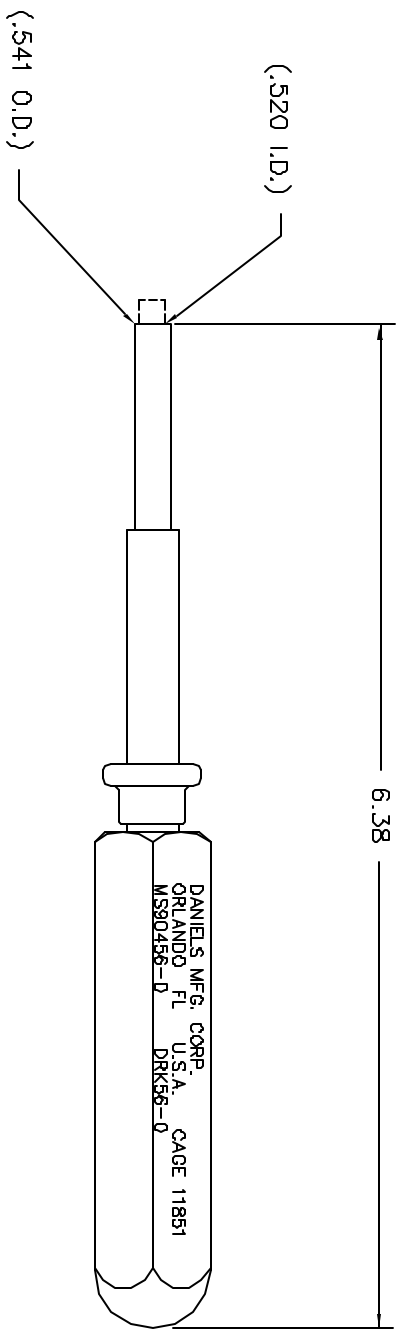



REVISIONS				
REV. STN.	E.C.O. NUMBER	DESCRIPTION	BY DATE	APPR'D DATE
1		ORIGINAL RELEASE	KMS 4/29/87	KMS 4/87



UNCONTROLLED DOCUMENT
WILL NOT BE UPDATED

RESTRICTED & CONFIDENTIAL		CONFIDENTIAL PROPERTY OF DANIELS MANUFACTURING CORP. NOT TO BE REPRODUCED OR USED FOR ANY OTHER PURPOSE EXCEPT AS AUTHORIZED IN WRITING BY DANIELS MANUFACTURING. MUST BE RETURNED TO DANIELS MANUFACTURING CORP. ON COMPLETION OF ORDER OR OTHER PURPOSE FOR WHICH LENT.	
MATERIAL	HEAT TREAT	FINISH	DO NOT SCALE DRAWING
ITEM	PART NO.	QTY.	DESCRIPTION/REMARKS
DRAWN: KMS	DATE: 4/29/87		 DANIELS MANUFACTURING CORP. ORLANDO, FLORIDA CAGE 11851
CHK'D: DC	DATE: 4/29/87		
APPR'D:	DATE:		
TITLE		WHERE USED:	
REMOVAL TOOL #0 (MS90456-0)		SIZE: B	CAD P/N: DRK56-0-ENV
ENVELOPE DRAWING		SCALE: NTS	SHEET: 1
		POSTING:	REV. OF: 1
			DRK56-0-ENV