



SERIES 921 HIGH PERFORMANCE

SUPER ITS™

REVERSE-BAYONET CYLINDRICAL POWER AND SIGNAL CONNECTORS

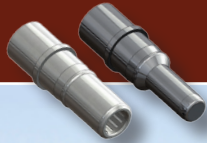
OCTOBER 2015



SERIES 921

SUPER ITS™

High-performance reverse-bayonet power and signal connectors for harsh application environments



Glenair is one of the world's most experienced manufacturers of reverse-bayonet, 5015 type power and signal connectors. Our ITS series connectors have been used in thousands of industrial, rail, and military applications. Now Glenair has taken this proven reverse-bayonet coupling technology and combined it with next-generation materials and design to create the ultimate high-performance power and signal cylindrical connector. The Series 921 Super ITS™ features vastly improved mechanical, environmental and electrical performance compared to standard-duty 5015 type industrial connectors. From its high-ampacity LouverBand contacts to its high-temperature PTFE inserts, the Super ITS™ is the ultimate power distribution and signal transmission connector for harsh environments.



Glenair, Inc.

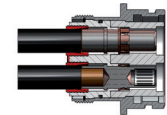
1211 Air Way
Glendale, CA
91201-2497

818-247-6000
sales@glenair.com
www.glenair.com



Introduction

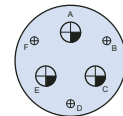
Cutaway View, Features and Benefits and Connector Selection Guide



A

Technical References

Contact Arrangements, Contact Rating, Materials and Finishes and Product Specification



B

Wall Mounting Receptacles



C

Straight Plug Connectors



D

Jam Nut Receptacles



E

In-Line Receptacles



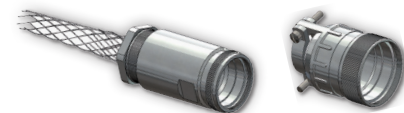
F

Contacts, Tools and Wiring Instructions



G

Accessories



H

Index

Part Number Index



I



Series 921 Super ITS™ Connectors and Accessories Introduction Cutaway View, Features and Benefits

A

Protect High-Current Circuits with Glenair's Series 921 Super ITS™ Connectors

The 921 Super ITS™ Series is a power connector family with improved mechanical, environmental and electrical performance. Featuring bayonet coupling mating system, crimp front-release contacts, upgraded material and finish choices and improved EMI protection, the 921 Super ITS™ Series connector is ideal for high current applications. The louverband socket contact and the pin contact are machined from high conductivity copper alloy for low resistance and higher ampacity. High performance thermoplastic insulators withstand high heat and harsh chemicals.

Louverband Contacts

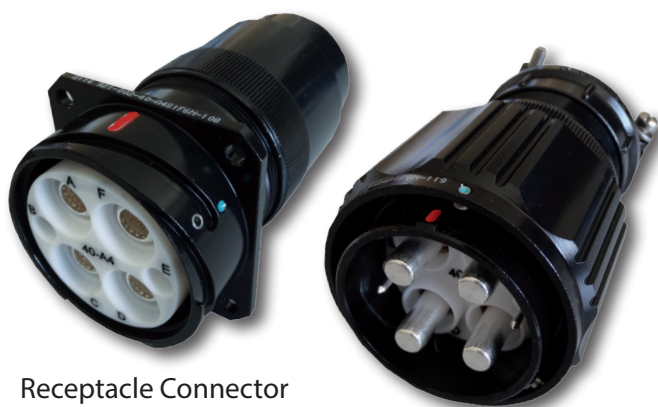
High Ampacity Louverband Contacts with higher electrical and mechanical properties. Low contact resistance and voltage drop, high short-circuit current, low insertion force, higher number of mating cycles (up to 2000).

Bayonet Coupling

Fast, easy connector mating with bayonet coupling

Single Wire Seals

Crimp, front release contact system and single wire seals suitable for an higher outer diameter range of cables.



Receptacle Connector

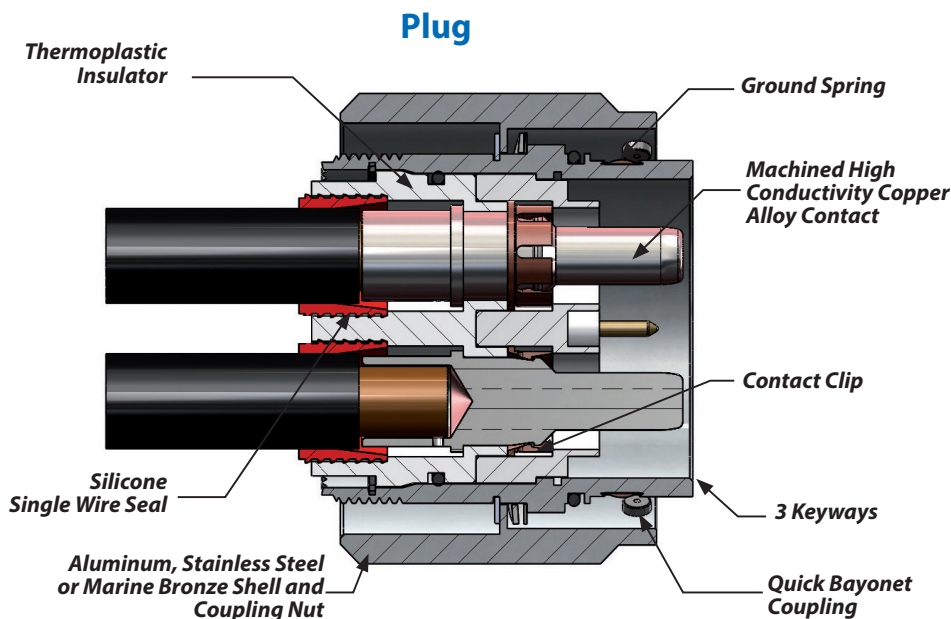
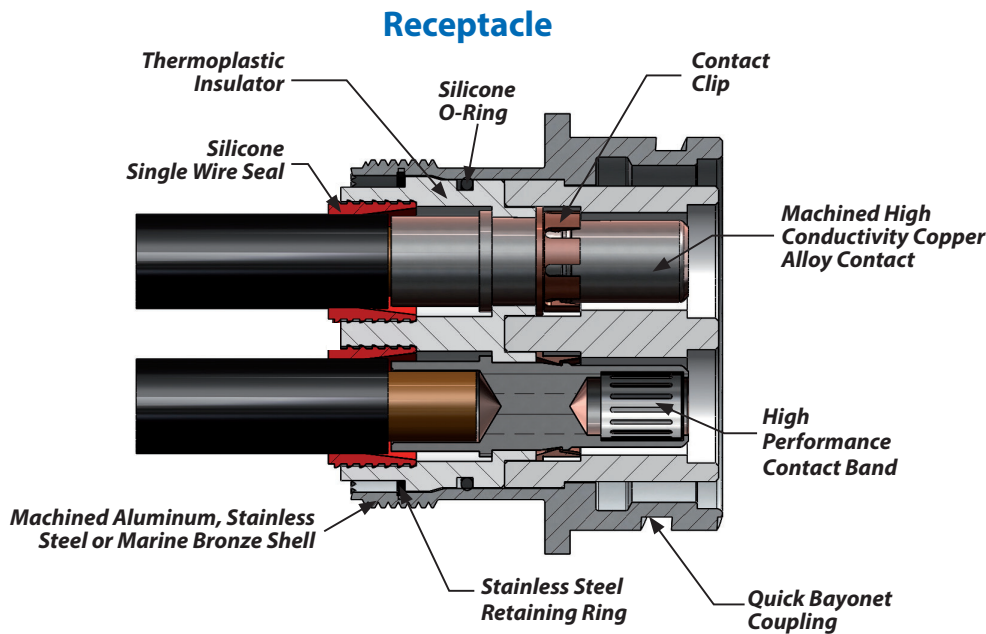
Plug Connector



Series 921 Super ITS™ Connectors: Superior Contacts, Mating Interface, and Backshell Attachment Than Standard MS Type Power Connectors

A

The 921 Connector Series is a high ampacity, harsh environment connector capable of meeting the demanding requirements of power applications with the new generation of high-temperature cables (120°C / 150°C).

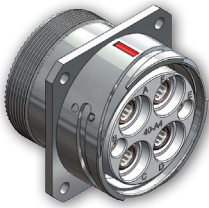


- Fast, easy connector mating with bayonet coupling
- 3 polarizing keys
- Reduced size and weight
- Louverband Size 0, 4 and 8 socket contacts for high ampacity and longer life
- High conductivity copper alloy contacts
- Crimp, front release contact system
- Single Wire Seals
- -65°C to +180°C operating temperature
- Size 8, 4 and 1/0 power contact sizes
- Size 16 and 12 signal contact size

A

Panel Mount Receptacles

921-002
Wall Mounting
Receptacle with
Accessory Thread
and Thru Holes



Page C-1 / C-2

921-003
Wall Mounting
Receptacle with
Accessory Thread
and Clinch Nuts



Page C-3 / C-4

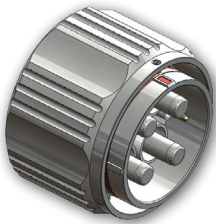
921-007
Jam Nut Receptacle
with Accessory Thread



Page E-1 / E-2

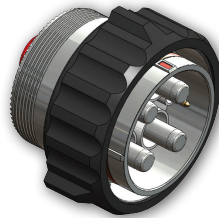
Cable Mount Plugs and Receptacles

921-006
Straight Plug Connector
with Accessory
Thread and Artic
Coupling Nut



Page D-1 / D-2

921-005
Straight Plug Connector
with Accessory Thread
and RadGrip™ Rubber
Coated Coupling Nut



Page D-3 / D-4

921-001
In-Line Receptacle with
Accessory Thread



Page F-1 / F-2



CONTACT ARRANGEMENTS TABLE

Contact Arrangement	Number of Contacts	Service Rating	Contact Size and Q.ty					
			#16	#12	#8	#4	#1/0	#2/0
24-GL2	2	B			2			
24-22	4	E			4			
28-GL5	5	E			5			
28-GL2	2	B				2		
28-GL3	6	E	3		3			
32-2	5	B	2			3		
32-GL2	2	B					2	
32-GL12	1	B						1
32-17	4	B				4		
40-A4	6	E		2			4	
40-GL3	3	B					3	
40-GL31	4	E				1	3	
40-GL22	2	B						2
40-GL7	2	E		2		5		
40-GL33	6	E			3		3	

Rated Insulation Voltage Vac or Vdc
 (according to EN 50124-1)

OV: OVERVOLTAGE CATEGORY
PD: POLLUTION DEGREE

OV1-PD1 (*)	OV2-PD1 (*)	OV3-PD1 (*)
1200V<V<1600V	<1200V	<900V

*: for a different value of OV and PD please ask to the factory

Service Rating (according to MIL-DTL-5015)

Class	Operating voltage Vdc	Operating voltage Vac RMS	Test voltage Vac RMS
E	1750 V	1250 V	3500 V
B	2450 V	1750 V	4500 V

WIRE INSULATION DIAMETERS

Contact Size	Wire Size (AWG)	Max. Contact Resistance (mOhm)	Cable Overall Diameter Diameter Dimensions	
			Ø min.	Ø max.
16	16	12	1	4
	20	6		
12	12	3	2	5
8	8	1	4	8
4	4	0.5	7	12.7
1/0	1/0	0.3	10	15.8
	2/0	0.3	12	17.8

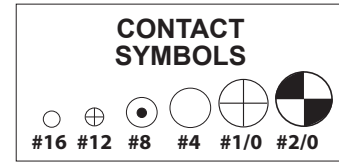
MATERIALS AND FINISHES

Components	Material	Finish
Contact, Size #1/0, #4 and #8	Pin contact and socket contact body: high conductive copper alloy Socket contact spring: beryllium copper	Silver - (flash Ni + (3÷6) µm Ag + passivation)
Contact, Size #12, #16	Pin contact and socket contact body: copper alloy Socket contact spring: stainless steel	Code 1: silver - (flash Cu + (3÷6) µm Ag + passivation) Code 2: gold - (2 µm Ni + (0.4÷0,6) µm Au)
Aluminum Shells, Coupling Nuts	Aluminum alloy	See Ordering Information
Stainless Steel Shells, Coupling Nuts	Stainless steel	Passivated
Insulator	Polytetrafluoroethylene	None
Single Wire Seals	Silicone rubber	None
EMI Spring	Beryllium copper	Silver-plated
Clinch Nut	Stainless steel	Passivated

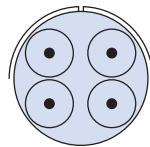


Series 921 Super ITS™ Connectors and Accessories
 Technical References
 Contact Arrangements Front View

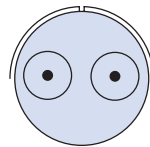
B



Arrangements
 Contact Size
 Service rating

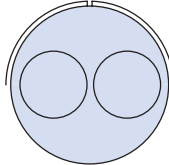


24-22
 4 #8
 E

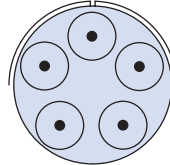


24-GL2
 2 #8
 B

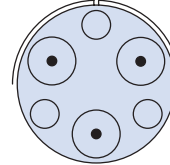
Arrangements
 Contact Size
 Service rating



28-GL2
 2 #4
 B

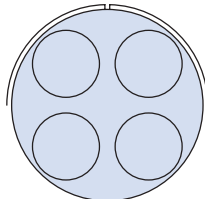


28-GL5
 5 #8
 E

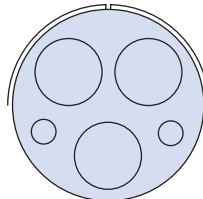


28-GL3
 3 #8, 3 #16
 E

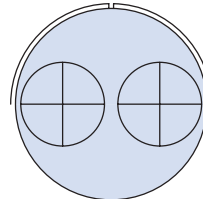
Arrangements
 Contact Size
 Service rating



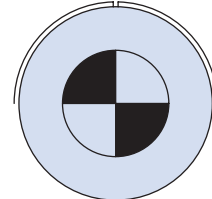
32-17
 4 #4
 B



32-2
 3 #4, 2 #16
 B

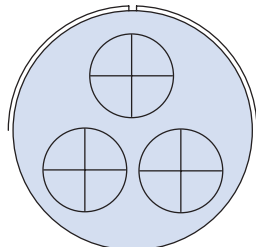


32-GL2
 2 #1/0
 B

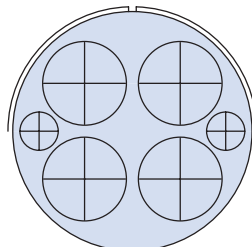


32-GL12
 1 #2/0
 B

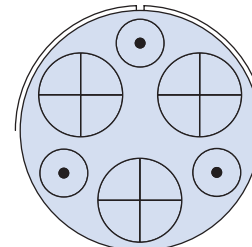
Arrangements
 Contact Size
 Service rating



40-GL3
 3 #1/0
 B

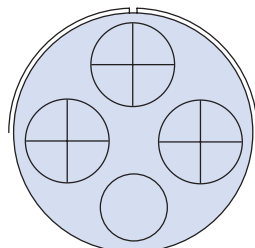


40-A4
 4 #1/0, 2 #12
 E

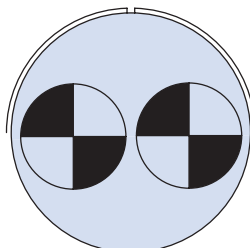


40-GL33
 3 #1/0, 3 #8
 E

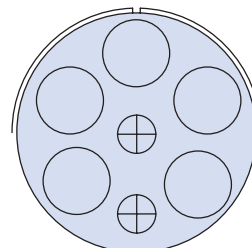
Arrangements
 Contact Size
 Service rating



40-GL31
 3 #1/0, 1 #4
 E



40-GL22
 2 #2/0
 B



40-GL7
 5 #4, 2 #12
 E

Series 921 Super ITS™ Connectors and Accessories
 Technical Reference
 Product Specification



Technical Reference

B

DESCRIPTION	REQUIREMENT	PROCEDURE																					
Contact Resistance	<p>Low level: the low signal level contact resistance of mated contact pairs shall be measured in accordance with VG95234-1 (Para. 5.10.1).</p> <p>CONTACT RESISTANCE</p> <table border="1"> <thead> <tr> <th>Contact Size</th> <th>Contact Resistance (mΩ Max.)</th> </tr> </thead> <tbody> <tr> <td>16</td> <td>6</td> </tr> <tr> <td>12</td> <td>3</td> </tr> <tr> <td>8</td> <td>1</td> </tr> <tr> <td>4</td> <td>0.5</td> </tr> <tr> <td>1/0</td> <td>0.2</td> </tr> </tbody> </table>	Contact Size	Contact Resistance (mΩ Max.)	16	6	12	3	8	1	4	0.5	1/0	0.2	VG95234-1									
Contact Size	Contact Resistance (mΩ Max.)																						
16	6																						
12	3																						
8	1																						
4	0.5																						
1/0	0.2																						
Contact Retention	<p>CONTACT RETENTION</p> <table border="1"> <thead> <tr> <th>Contact Size</th> <th>Min. Pounds</th> </tr> </thead> <tbody> <tr> <td>16</td> <td>25</td> </tr> <tr> <td>12</td> <td>30</td> </tr> <tr> <td>8</td> <td>50</td> </tr> <tr> <td>4</td> <td>60</td> </tr> <tr> <td>1/0</td> <td>75</td> </tr> </tbody> </table>	Contact Size	Min. Pounds	16	25	12	30	8	50	4	60	1/0	75	EIA-364-29 MethodB									
Contact Size	Min. Pounds																						
16	25																						
12	30																						
8	50																						
4	60																						
1/0	75																						
Current Rating	<p>CURRENT RATING</p> <table border="1"> <thead> <tr> <th>Contact Size</th> <th>Rated Current (20°C)</th> <th>Rated Current (80°C)</th> </tr> </thead> <tbody> <tr> <td>16</td> <td>25</td> <td>15</td> </tr> <tr> <td>12</td> <td>50</td> <td>28</td> </tr> <tr> <td>8</td> <td>90</td> <td>70</td> </tr> <tr> <td>4</td> <td>160</td> <td>130</td> </tr> <tr> <td>1/0</td> <td>300</td> <td>250</td> </tr> <tr> <td>2/0</td> <td>330</td> <td>280</td> </tr> </tbody> </table>	Contact Size	Rated Current (20°C)	Rated Current (80°C)	16	25	15	12	50	28	8	90	70	4	160	130	1/0	300	250	2/0	330	280	EIA-364-70
Contact Size	Rated Current (20°C)	Rated Current (80°C)																					
16	25	15																					
12	50	28																					
8	90	70																					
4	160	130																					
1/0	300	250																					
2/0	330	280																					
Dielectric Withstanding Voltage at Sea Level	<p>Service Rating E No breakdown or flashover at 4000 Vac RMS - 50 Hz 2 mA max. leakage current</p> <p>Service Rating B No breakdown or flashover at 4500 Vac RMS - 50 Hz 2 mA max. leakage current</p>	MIL-DTL-5015H																					



Series 921 Super ITS™ Connectors and Accessories

Technical Reference Product Specification

B

DESCRIPTION	REQUIREMENT	PROCEDURE
Dynamic Corrosion	The connectors shall be subjected at 50 cycles of mating/unmating then at XXXh of salt spray (see platings limit for the hour of test) and then other 50 cycles of mating/unmating shall be performed. Connectors shall show no exposure of the basis metal. Connectors shall meet DWV, contact resistance, shell to shell resistance.	MIL-DTL-5015H
High Impact Shock	No discontinuity of greater than 1 microseconds, no cracking, breaking or loosening of parts, plug shall not become disengaged from receptacle. Connectors shall meet electrical requirements after vibration test. 3 shock for each directions; 300G, 3ms	MIL-DTL-38999L
Ingress Protection, Mated	IP67 rating IP69K rating.	IEC-60529 DIN 40050-9
Insert Retention	Unmated connector. 100 ± 5 pounds per square inch with a 25 pounds minimum force.	MIL-DTL-38999L
Insulation Resistance at Ambient Temperature	The measure of the insulation resistance shall be done after 30 min at 200°C with 500 Vdc. Insulation resistance shall be greater than 1000 MΩ.	MIL-DTL-5015H
Insulation Resistance at Elevated Temperature	The measure of the insulation resistance shall be done after 30 min at 200°C with 500 Vdc. Insulation resistance shall be greater than 1000 MΩ.	EIA-364-21
Mechanical Durability, at Ambient Temperature	The connectors shall be subjected at 2000 cycles of mating/unmating.	MIL-DTL-5015H

Series 921 Super ITS™ Connectors and Accessories
Technical Reference
Product Specification



DESCRIPTION	REQUIREMENT	PROCEDURE
Moisture Resistance	In accordance with EIA-364-31 method IV. The insulation resistance shall be not less than 100 MΩ.	MIL-DTL-5015H
Operating Temperature	See plating operating temperature.	
Shell Conductivity	The overall DC resistance shall be $R \leq 5m\Omega$	MIL-DTL-5015H
Thermal Shock	The connectors shall be subjected at 5 cycles of thermal shock (30min + 30 min). For the temperature see the platings limit. Following thermal shock, connector shall meet contact resistance, DWV, insulation resistance and shell to shell resistance requirement.	MIL-DTL-5015H
Vibration, Random, at Ambient Temperature	The connector shall be subjected to a random vibration in accordance with EIA-364-28 test condition VI letter J: 43,92G No discontinuity of greater than 1 microseconds, no cracking, breaking or loosening of parts, plug shall not become disengaged from receptacle. Connectors shall meet electrical requirements after vibration test.	EIA364-28
Vibration, Sine	Mated connectors shall not be damaged and there shall be no loosening of parts due to vibration. Counterpart connectors shall be retained in full engagement. The interruption of electrical continuity shall be not longer than 10 microseconds.	MIL-DTL-5015H
Water Pressure	The connectors shall be submerged in water at 1 bar of pressure for 12h. The connectors shall show no evidence of entrance of water.	VG95234



B

DESCRIPTION	REQUIREMENT	PROCEDURE																								
EMI Shielding Effectiveness		VG95234-1																								
Mating and Unmating Torque	<p>The mating and unmating torque of the connectors shall be measured. The bayonet slots shall be greased.</p> <table border="1" data-bbox="524 1134 979 1410"> <thead> <tr> <th rowspan="2">Shell Size</th> <th colspan="2">Admissibles torques</th> </tr> <tr> <th>Close and Open Nm max.</th> <th>Open Nm min.</th> </tr> </thead> <tbody> <tr> <td>24</td> <td rowspan="4">14</td> <td>0,8</td> </tr> <tr> <td>28</td> <td>0,9</td> </tr> <tr> <td>32</td> <td>1</td> </tr> <tr> <td>40</td> <td>1,5</td> </tr> </tbody> </table>	Shell Size	Admissibles torques		Close and Open Nm max.	Open Nm min.	24	14	0,8	28	0,9	32	1	40	1,5											
Shell Size	Admissibles torques																									
	Close and Open Nm max.	Open Nm min.																								
24	14	0,8																								
28		0,9																								
32		1																								
40		1,5																								
Socket Contacts. Engagement and Separation Forces	<p>Socket contacts shall be tested in accordance with EIA-364-037. Contacts are permitted to be tested installed in the connectors.</p> <table border="1" data-bbox="490 1535 1014 1856"> <thead> <tr> <th>Contact Mating End Size</th> <th>Min Separation Force (ounces) min Diameter SAE-AS31971 pin</th> <th>Max Average Engagement Force (ounces) Max Diameter SAE-AS31971 pin</th> <th>Max Average Engagement Force (ounces) Max Diameter SAE-AS31971 pin</th> </tr> </thead> <tbody> <tr> <td>16</td> <td>2</td> <td>33</td> <td>48</td> </tr> <tr> <td>12</td> <td>3</td> <td>56</td> <td>80</td> </tr> <tr> <td>8</td> <td>5</td> <td>N/A</td> <td>160</td> </tr> <tr> <td>4</td> <td>10</td> <td>N/A</td> <td>240</td> </tr> <tr> <td>0</td> <td>15</td> <td>N/A</td> <td>320</td> </tr> </tbody> </table>	Contact Mating End Size	Min Separation Force (ounces) min Diameter SAE-AS31971 pin	Max Average Engagement Force (ounces) Max Diameter SAE-AS31971 pin	Max Average Engagement Force (ounces) Max Diameter SAE-AS31971 pin	16	2	33	48	12	3	56	80	8	5	N/A	160	4	10	N/A	240	0	15	N/A	320	MIL-DTL-5015H
Contact Mating End Size	Min Separation Force (ounces) min Diameter SAE-AS31971 pin	Max Average Engagement Force (ounces) Max Diameter SAE-AS31971 pin	Max Average Engagement Force (ounces) Max Diameter SAE-AS31971 pin																							
16	2	33	48																							
12	3	56	80																							
8	5	N/A	160																							
4	10	N/A	240																							
0	15	N/A	320																							



SHELL MATERIAL AND FINISH

Code	Material	Finish	Electrical conductivity	Hrs. Salt spary	Operating T range	RoHS Compliant	Ground Spring
F6	Aluminum	Black Electrostatic Paint	Non Conductive	500	-65°C to +200°C	Yes	No
G3	Aluminum	Cadmium, Olive drab	Conductive	500	-65°C to +175°C	No	Yes
MT	Aluminum	Nickel-PTFE	Conductive	1000	-65°C to +175°C	Yes	Yes
M	Aluminum	Electroless Nickel	Conductive	48	-65°C to +200°C	Yes	Yes
G2	Aluminum	Anodize, Hardcoat	Non Conductive	336	-65°C to +200°C	Yes	No
Z1	Stainless Steel	Passivate	Conductive	1000	-65°C to +200°C	Yes	Yes
AB	Marine Bronze	Unplated	Conductive	1000	-65°C to +200°C	Yes	Yes

B

CONTACT TYPE AND PLATING

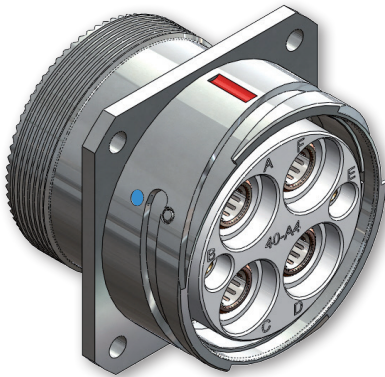
Code	Type	Material	Plating	Contact Size	RoHS Compliant	Note
P1	Pin	Copper Alloy	Silver	16, 12, 8, 4, 1/0	Yes	Standard
S1	Socket		Silver		Yes	
P2	Pin		Gold	16, 12	Yes	Optional
S2	Socket		Gold		Yes	

CURRENT RATING

Contact Size	Rated current at +20°C (Amperes)	Rated current at +80°C (Amperes)
16	25	15
12	50	28
8	90	70
4	160	130
1/0	300	250
2/0	330	280



Series 921 Super ITS™ Connectors and Accessories
Wall Mounting Receptacles
921-002 Wall Mounting Receptacle
with Accessory Thread and Thru Holes



921-002 Wall Mounting Receptacle with Accessory Thread and Thru Holes

Series 921 Super ITS™ extreme environment receptacle connectors are intended for high current applications where size 8 AWG to size 2/0 AWG wires are used. These connectors feature high ampacity LouverBand contacts. Quick mating bayonet coupling type. EMI protected with ground spring and splined backshell interface. Standard contacts are silver plated high conductivity copper alloy, or choose gold-plated signal (Size 16 and 12) contacts for improved corrosion protection in space or petrochemical environments. Silicone O-rings and wire seal provide watertight sealing. Contacts are packaged with connector.

C

HOW TO ORDER

Sample Part Number

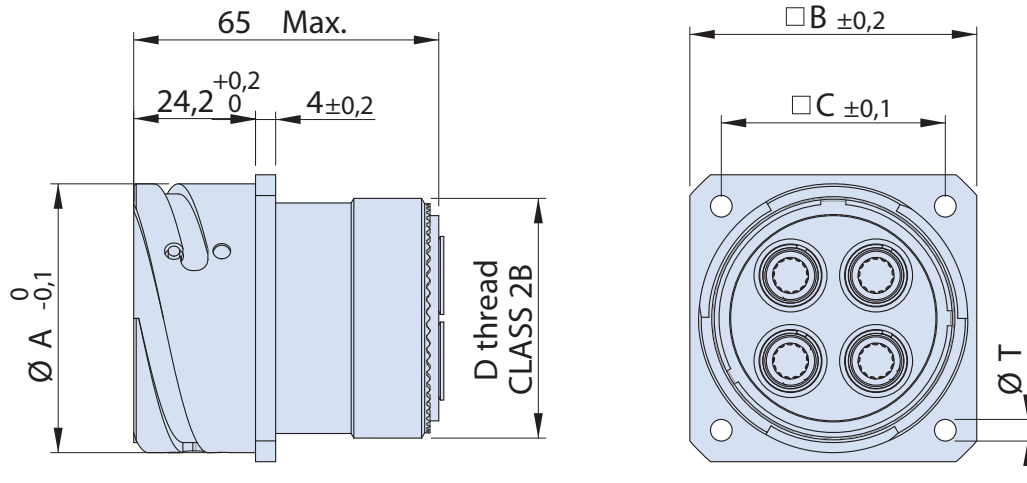
921-002 -		32-17					S1	MT	N
Series	Shell Size - Insert Arrangement						Contact Type and Plating	Shell Material and Finish	Key Position
921-002 Wall Mounting Receptacle with Accessory Thread and Thru Holes	Contact Arr.	Contact Size and Qty					P1 Pin Contacts Silver Plated S1 Socket Contacts Silver Plated P2 Pin Contacts Gold Plated S2 Socket Contacts Gold Plated P0 Pin Connector, without Contacts S0 Socket Connector, without Contacts	F6 Aluminum, Black Electrostatic Paint G3 Aluminum, Cadmium, Olive Drab MT Aluminum, Nickel-PTFE M Aluminum, Electroless Nickel G2 Aluminum, Anozide, Hardcoat Z1 Stainless Steel, Passivate AB Marine Bronze, unplated	N Position 1 X Position 2 Y Position 3 W Position 4
		#16	#12	#8	#4	#1/0			
	See "CONTACT ARRANGEMENTS" Page B-1								

Series 921 Super ITS™ Connectors and Accessories
 Wall Mounting Receptacles
 921-002 Wall Mounting Receptacle
 with Accessory Thread and Thru Holes



Wall Mounting
 Receptacle
 Connectors

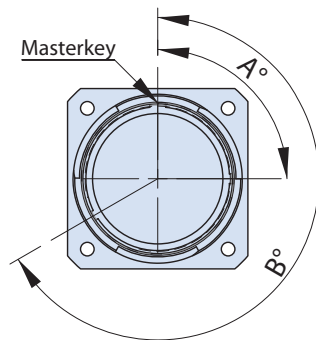
921-002 Wall Mounting Receptacle with Accessory Thread and Thru Holes



DIMENSIONS

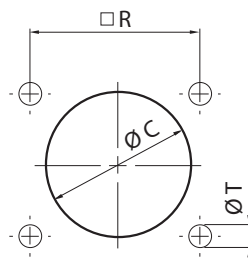
Shell Size	$\varnothing A$ [mm]	B [mm]	C [mm]	Mounting Holes $\varnothing T$ [mm]	D Thread CLASS 2B	Interface Designator	Dash No. (*)
24	40.9	44.5	34.9	4.75	1 3/8 - 18 UNEF	B	21
28	46.7	50.9	39.7	4.75	1 5/8 - 18 UNEF	B	22
32	53.4	57.0	44.45	5.40	1 7/8 - 16 UN	B	23
40	65.5	69.9	55.55	5.40	2 5/16 - 16 UN	B	33

(*) please refer to **Circular Connector Backshell and Accessories** Glenair catalogue on page n.19



KEY POSITIONS

Position	A°	B°
1	90	240
2	135	225
3	150	210
4	120	270

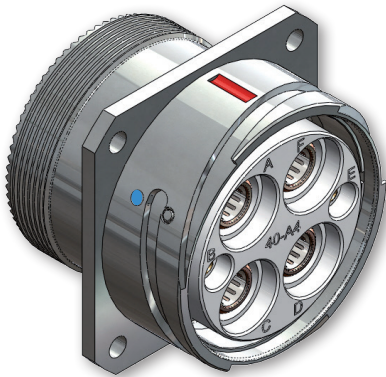


PANEL CUTOUT

Shell Size	FRONT PANEL MOUNTING			REAR PANEL MOUNTING		
	$\varnothing C$ [mm]	R [mm]	$\varnothing T$ [mm]	$\varnothing C$ [mm]	R [mm]	$\varnothing T$ [mm]
24	36.0	34.9	3.9	41.8	34.9	4.5
28	42.0	39.7	3.9	47.6	39.7	5.5
32	48.5	44.5	4.5	54.3	44.5	5.5
40	61.0	55.5	4.5	66.4	55.5	5.5



Series 921 Super ITS™ Connectors and Accessories
Wall Mounting Receptacles
921-003 Wall Mounting Receptacle
with Accessory Thread and Clinch Nuts



921-003 Wall Mounting Receptacle with Accessory Thread and Clinch Nuts

921-003 receptacles, have threaded holes to fix the square flange on the panel.

C

HOW TO ORDER

Sample Part Number

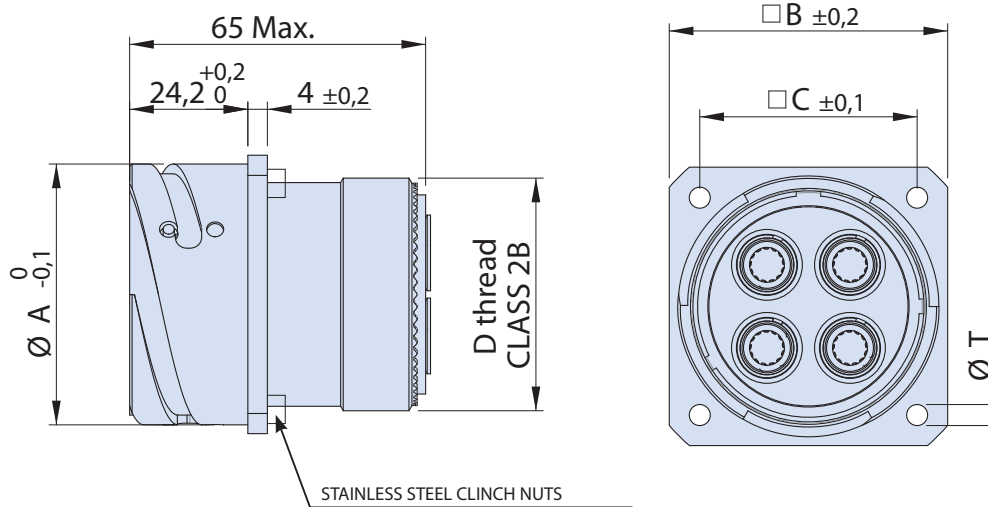
921-003 -	32-17	S1	MT	N														
Series	Shell Size - Insert Arrangement	Contact Type and Plating	Shell Material and Finish	Key Position														
921-003 Wall Mounting Receptacle with Accessory Thread and Clinch Nuts	<table border="1" style="margin: auto; border-collapse: collapse;"> <tr> <th style="text-align: left;">Contact Arr.</th> <th colspan="6">Contact Size and Qty</th> </tr> <tr> <td></td> <th>#16</th> <th>#12</th> <th>#8</th> <th>#4</th> <th>#1/0</th> <th>#2/0</th> </tr> </table>	Contact Arr.	Contact Size and Qty							#16	#12	#8	#4	#1/0	#2/0	<p style="text-align: center;">P1 Pin Contacts Silver Plated</p> <p style="text-align: center;">S1 Socket Contacts Silver Plated</p> <p style="text-align: center;">P2 Pin Contacts Gold Plated</p> <p style="text-align: center;">S2 Socket Contacts Gold Plated</p> <p style="text-align: center;">P0 Pin Connector, without Contacts</p> <p style="text-align: center;">S0 Socket Connector, without Contacts</p>	<p style="text-align: center;">F6 Aluminum, Black Electrostatic Paint</p> <p style="text-align: center;">G3 Aluminum, Cadmium, Olive Drab</p> <p style="text-align: center;">MT Aluminum, Nickel- PTFE</p> <p style="text-align: center;">M Aluminum, Electroless Nickel</p> <p style="text-align: center;">G2 Aluminum, Anozide, Hardcoat</p> <p style="text-align: center;">Z1 Stainless Steel, Passivate</p> <p style="text-align: center;">AB Marine Bronze, unplated</p>	<p style="text-align: center;">N Position 1</p> <p style="text-align: center;">X Position 2</p> <p style="text-align: center;">Y Position 3</p> <p style="text-align: center;">W Position 4</p>
	Contact Arr.	Contact Size and Qty																
	#16	#12	#8	#4	#1/0	#2/0												
See "CONTACT ARRANGEMENTS" Page B-1																		

Series 921 Super ITS™ Connectors and Accessories
Wall Mounting Receptacles
 921-003 Wall Mounting Receptacle
 with Accessory Thread and Clinch Nuts



Wall Mounting
 Receptacle
 Connectors

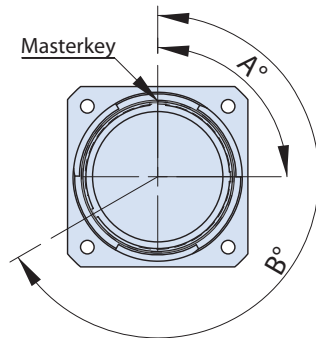
921-003 Wall Mounting Receptacle with Accessory Thread and Clinch Nuts



DIMENSIONS

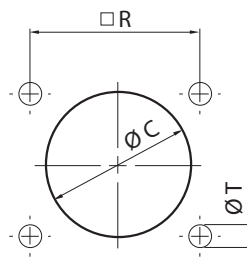
Shell Size	ØA [mm]	B [mm]	C [mm]	Clinch Nut Thread ØT	D Thread CLASS 2B	Interface Designator	Dash No. (*)
24	40.9	44.5	34.9	6-32 UNC-2B	1 3/8 - 18 UNEF	B	21
28	46.7	50.9	39.7	6-32 UNC-2B	1 5/8 - 18 UNEF	B	22
32	53.4	57.0	44.45	8-32 UNC-2B	1 7/8 - 16 UN	B	23
40	65.5	69.9	55.55	8-32 UNC-2B	2 5/16 - 16 UN	B	33

(*) please refer to **Circular Connector Backshell and Accessories** Glenair catalogue on page n.19



KEY POSITIONS

Position	A°	B°
1	90	240
2	135	225
3	150	210
4	120	270



PANEL CUTOUT

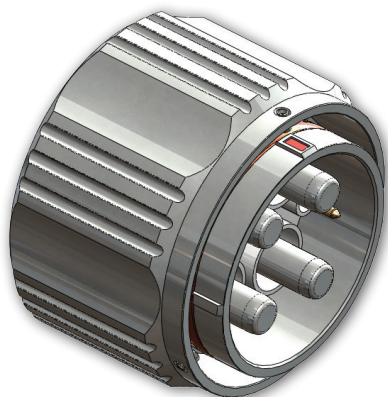
Shell Size	REAR PANEL MOUNTING		
	ØC [mm]	R [mm]	ØT [mm]
24	41.8	34.9	4.5
28	47.6	39.7	5.5
32	54.3	44.5	5.5
40	66.4	55.5	5.5



Series 921 Super ITS™ Connectors and Accessories

Straight Plug Connectors

921-006 Straight Plug Connector with Accessory Thread and Artic Coupling Nut



921-006 Straight Plug Connector with Accessory Thread and Artic Coupling Nut

Series 921 Super ITS™ plug connectors feature high ampacity LouverBand contacts and rugged water resistant construction for the most demanding environments. Quick mating bayonet coupling type. EMI protected with ground spring and splined backshell interface. Standard contacts are silver plated high conductivity copper alloy, or choose gold-plated signal (Size 16 and 12) contacts for improved corrosion protection in space or petrochemical environments. Silicone O-rings and wire seal provide watertight sealing. Contacts are packaged with connector.

HOW TO ORDER

Sample Part Number

921-006 -	32-17	S1	MT	N																				
Series	Shell Size - Insert Arrangement	Contact Type and Plating	Shell Material and Finish	Key Position																				
921-006 Straight Plug Connector with Accessory Thread and Artic Coupling Nut	<table border="1"> <thead> <tr> <th rowspan="2">Contact Arr.</th> <th colspan="6">Contact Size and Qty</th> </tr> <tr> <th>#16</th> <th>#12</th> <th>#8</th> <th>#4</th> <th>#1/0</th> <th>#2/0</th> </tr> </thead> <tbody> <tr> <td colspan="7">See "CONTACT ARRANGEMENTS" Page B-1</td> </tr> </tbody> </table>	Contact Arr.	Contact Size and Qty						#16	#12	#8	#4	#1/0	#2/0	See "CONTACT ARRANGEMENTS" Page B-1							P1 Pin Contacts Silver Plated	F6 Aluminum, Black Electrostatic Paint	N Position 1
	Contact Arr.		Contact Size and Qty																					
#16		#12	#8	#4	#1/0	#2/0																		
See "CONTACT ARRANGEMENTS" Page B-1																								
		S1 Socket Contacts Silver Plated	G3 (*) Aluminum, Cadmium, Olive Drab	X Position 2																				
		P2 Pin Contacts Gold Plated	MT (*) Aluminum, Nickel-PTFE	Y Position 3																				
		S2 Socket Contacts Gold Plated	M (*) Aluminum, Electroless Nickel	W Position 4																				
		P0 Pin Connector, without Contacts	G2 Aluminum, Anozide, Hardcoat																					
		S0 Socket Connector, without Contacts	Z1 Stainless Steel, Passivate																					
			AB Marine Bronze, unplated																					

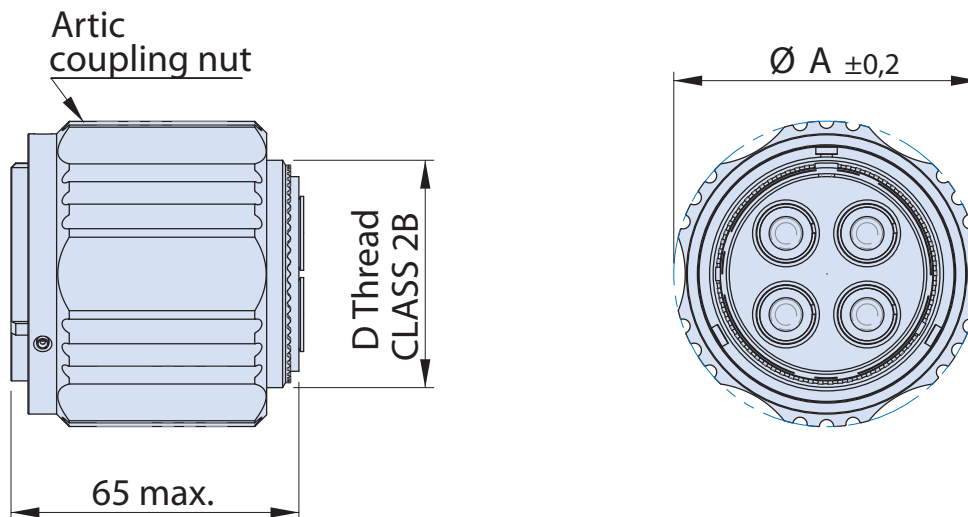
(*) Supplied with Ground Spring

Series 921 Super ITS™ Connectors and Accessories
Straight Plug Connectors
 921-006 Straight Plug Connector with Accessory Thread
 and Artic Coupling Nut



Straight Plug Connectors

921-006 Straight Plug Connector with Accessory Thread and Artic Coupling Nut

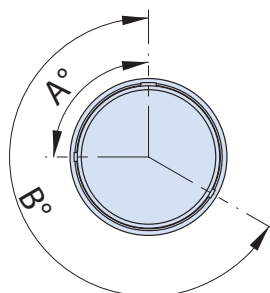


D

DIMENSIONS

Shell Size	øA [mm]	D Thread CLASS 2B	Interface Designator	Dash No. (*)
24	50.2	1 3/8 - 18 UNEF	B	21
28	56.5	1 5/8 - 18 UNEF	B	22
32	64.0	1 7/8 - 16 UN	B	23
40	77.0	2 5/16 - 16 UN	B	33

(*) please refer to **Circular Connector Backshell and Accessories** Glenair catalogue on page n.19



KEY POSITIONS

Position	A°	B°
1	90	240
2	135	225
3	150	210
4	120	270



Series 921 Super ITS™ Connectors and Accessories
Straight Plug Connectors
921-005 Straight Plug Connector with Accessory Thread
and RadGrip™ Rubber Coated Coupling Nut



921-005 Straight Plug Connector with Accessory Thread and RadGrip™ Rubber Coated Coupling Nut

921-005 plug connectors have a rubber coated coupling nut that provides mechanical protection in harsh environmental conditions.

HOW TO ORDER

Sample Part Number

921-005 -	32-17						S1	MT	N
Series	Shell Size - Insert Arrangement						Contact Type and Plating	Shell Material and Finish	Key Position
921-005 Straight Plug Connector with Accessory Thread and RadGrip™ Rubber Coated Coupling Nut	Contact Arr.	Contact Size and Qty					P1 Pin Contacts Silver Plated S1 Socket Contacts Silver Plated P2 Pin Contacts Gold Plated S2 Socket Contacts Gold Plated P0 Pin Connector, without Contacts S0 Socket Connector, without Contacts	F6 Aluminum, Black Electrostatic Paint G3 (*) Aluminum, Cadmium, Olive Drab MT (*) Aluminum, Nickel-PTFE M (*) Aluminum, Electroless Nickel G2 Aluminum, Anozide, Hardcoat Z1 Stainless Steel, Passivate AB Marine Bronze, unplated	N Position 1 X Position 2 Y Position 3 W Position 4
		#16	#12	#8	#4	#1/0			
	See "CONTACT ARRANGEMENTS" Page B-1								

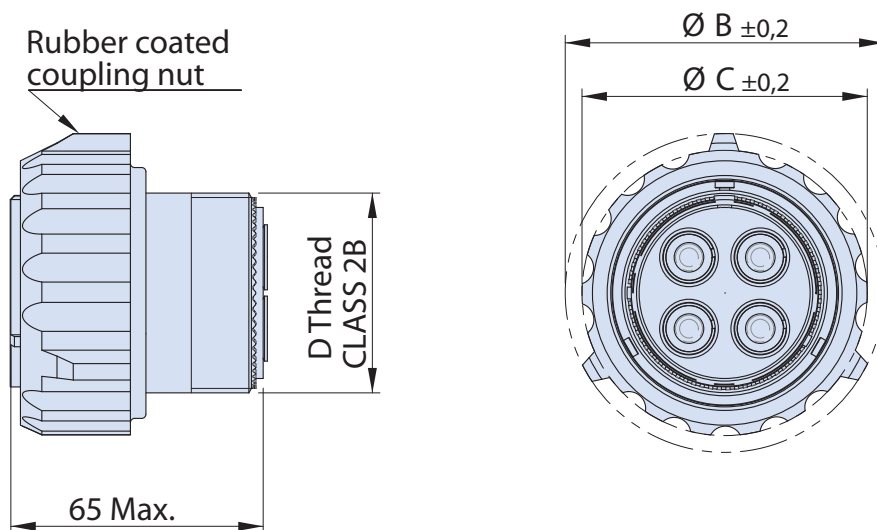
(*) Supplied with Ground Spring

Series 921 Super ITS™ Connectors and Accessories
Straight Plug Connectors
 921-005 Straight Plug Connector with Accessory Thread
 and RadGrip™ Rubber Coated Coupling Nut



Straight Plug Connectors

921-005 Straight Plug Connector with Accessory Thread and RadGrip™ Rubber Coated Coupling Nut

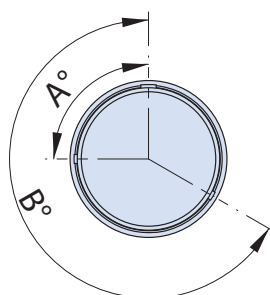


D

DIMENSIONS

Shell Size	$\varnothing B$ [mm]	$\varnothing C$ [mm]	D Thread CLASS 2B	Interface Designator	Dash No. (*)
24	60.0	54.0	1 3/8 - 18 UNEF	B	21
28	67.0	61.0	1 5/8 - 18 UNEF	B	22
32	76.0	68.0	1 7/8 - 16 UN	B	23
40	88.0	80.0	2 5/16 - 16 UN	B	33

(*) please refer to **Circular Connector Backshell and Accessories** Glenair catalogue on page n.19

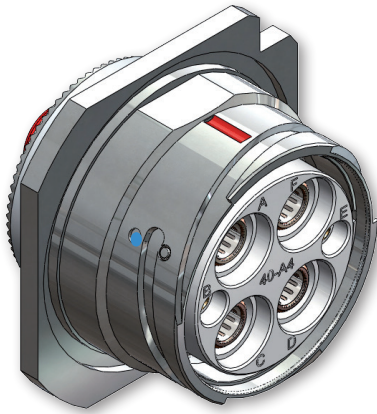


KEY POSITIONS

Position	A°	B°
1	90	240
2	135	225
3	150	210
4	120	270



Series 921 Super ITS™ Connectors and Accessories
Jam Nut Receptacle
921-007 Jam Nut Receptacle Connector
with Accessory Thread



921-007 Jam Nut Receptacle Connector with Accessory Thread

These jam nut connectors are “rear panel mounting” for panel thicknesses up to 300 inch (7.62mm). Series 921 Super ITS™ extreme environment receptacle connectors are intended for high current applications where size 8 AWG to size 2/0 AWG wires are used. These connectors feature high ampacity LouverBand contacts. Quick mating bayonet coupling type. EMI protected with ground spring and splined backshell interface. Standard contacts are silver plated high conductivity copper alloy, or choose gold-plated signal (Size 16 and 12) for improved corrosion protection in space or petrochemical environments. Silicone O-rings and wire seal provide watertight sealing. Contacts are packaged with connector.

HOW TO ORDER

Sample Part Number

921-007 -	32-17	S1	MT	N														
Series	Shell Size - Insert Arrangement	Contact Type and Plating	Shell Material and Finish	Key Position														
921-007 Jam Nut Receptacle Connector with Accessory Thread	<table border="1"> <tr> <th style="text-align: left;">Contact Arr.</th> <th colspan="6" style="text-align: center;">Contact Size and Qty</th> </tr> <tr> <td></td> <th>#16</th> <th>#12</th> <th>#8</th> <th>#4</th> <th>#1/0</th> <th>#2/0</th> </tr> </table>	Contact Arr.	Contact Size and Qty							#16	#12	#8	#4	#1/0	#2/0	<p style="text-align: center;">P1 Pin Contacts Silver Plated</p> <p style="text-align: center;">S1 Socket Contacts Silver Plated</p> <p style="text-align: center;">P2 Pin Contacts Gold Plated</p> <p style="text-align: center;">S2 Socket Contacts Gold Plated</p> <p style="text-align: center;">P0 Pin Connector, without Contacts</p> <p style="text-align: center;">S0 Socket Connector, without Contacts</p>	<p style="text-align: center;">F6 Aluminum, Black Electrostatic Paint</p> <p style="text-align: center;">G3 Aluminum, Cadmium, Olive Drab</p> <p style="text-align: center;">MT Aluminum, Nickel-PTFE</p> <p style="text-align: center;">M Aluminum, Electroless Nickel</p> <p style="text-align: center;">G2 Aluminum, Anozide, Hardcoat</p> <p style="text-align: center;">Z1 Stainless Steel, Passivate</p> <p style="text-align: center;">AB Marine Bronze, unplated</p>	<p style="text-align: center;">N Position 1</p> <p style="text-align: center;">X Position 2</p> <p style="text-align: center;">Y Position 3</p> <p style="text-align: center;">W Position 4</p>
	Contact Arr.	Contact Size and Qty																
	#16	#12	#8	#4	#1/0	#2/0												
	See “CONTACT ARRANGEMENTS” Page B-1																	

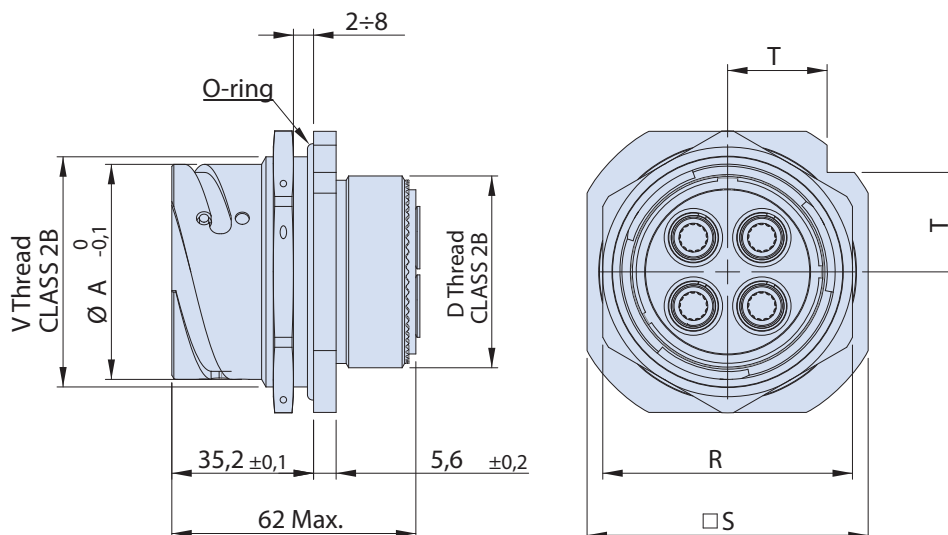
E

Series 921 Super ITS™ Connectors and Accessories
Jam Nut Receptacle
 921-007 Jam Nut Receptacle Connector
 with Accessory Thread



Jam Nut
 Receptacle
 Connectors

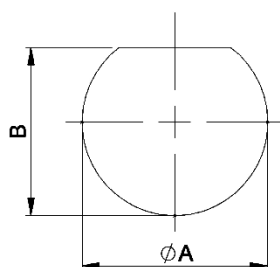
921-007 Jam Nut Receptacle Connector with Accessory Thread



DIMENSIONS

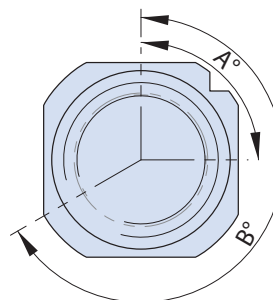
Shell Size	ØA [mm]	R [mm]	S [mm]	T [mm]	V Thread CLASS 2B	D Thread CLASS 2B	Interface Designator	Dash No. (*)
24	40.9	51.0	57.2	20.2	1 3/4 - 18 UNS	1 3/8 - 18 UNEF	B	21
28	46.7	55.0	63.5	22.5	2 - 18 UNS	1 5/8 - 18 UNEF	B	22
32	53.4	62.0	69.8	24.7	2 1/4 - 16 UN	1 7/8 - 16 UN	B	23
40	65.5	75.0	83.5	29.6	2 3/4 - 16 UN	2 5/16 - 16 UNS	B	33

(*) please refer to **Circular Connector Backshell and Accessories** Glenair catalogue on page n.19



PANEL CUTOUT

Shell Size	ØA [mm]	B [mm]
24	44.65	43.35
28	51.00	49.55
32	57.35	55.95
40	70.05	68.55



KEY POSITIONS

Position	A°	B°
1	90	240
2	135	225
3	150	210
4	120	270

E



Series 921 Super ITS™ Connectors and Accessories
In-Line Receptacle
921-001 In-Line Receptacle Connector
with Accessory Thread



921-001 In-Line Receptacle Connector with Accessory Thread

These connectors, often called “in-line”, “line” or “free-hanging” receptacles, are installed on cables for cord-to-cord applications. Series 921 Super ITS™ extreme environment receptacle connectors are intended for high current applications where size 8 AWG to size 2/0 AWG wires are used. These connectors feature high ampacity LouverBand contacts. Quick mating bayonet coupling type. EMI protected with ground spring and splined backshell interface. Standard contacts are silver plated high conductivity copper alloy, or choose gold-plated signal (Size 16 and 12) for improved corrosion protection in space or petrochemical environments. Silicone O-rings and wire seal provide watertight sealing. Contacts are packaged with connector.

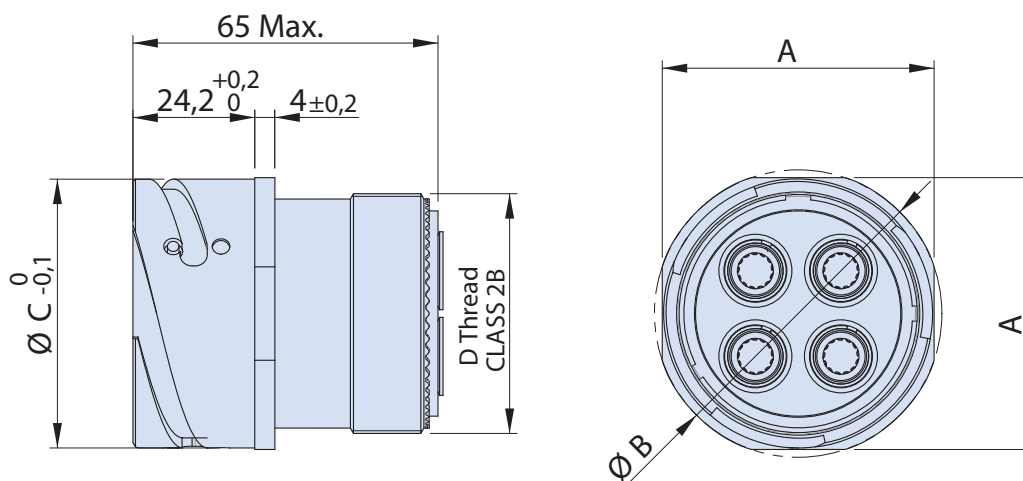
HOW TO ORDER

Sample Part Number

921-001 -		32-17		S1		MT		N				
Series	Shell Size - Insert Arrangement						Contact Type and Plating		Shell Material and Finish		Key Position	
921-001 In-Line Receptacle Connector with Accessory Thread	Contact Arr.	Contact Size and Qty						P1 Pin Contacts Silver Plated S1 Socket Contacts Silver Plated P2 Pin Contacts Gold Plated S2 Socket Contacts Gold Plated P0 Pin Connector, without Contacts S0 Socket Connector, without Contacts	F6 Aluminum, Black Electrostatic Paint G3 Aluminum, Cadmium, Olive Drab MT Aluminum, Nickel-PTFE M Aluminum, Electroless Nickel G2 Aluminum, Anozide, Hardcoat Z1 Stainless Steel, Passivate AB Marine Bronze, unplated	N Position 1 X Position 2 Y Position 3 W Position 4		
		#16	#12	#8	#4	#1/0	#2/0					
	See “CONTACT ARRANGEMENTS” Page B-1											

F

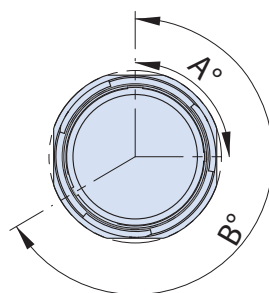
921-001 In-Line Receptacle Connector with Accessory Thread



DIMENSIONS

Shell Size	A [mm]	ØB [mm]	ØC [mm]	D Thread CLASS 2B	Interface Designator	Dash No. (*)
24	41.3	44.6	40.9	1 3/8 - 18 UNEF	B	21
28	47.6	50.9	46.7	1 5/8 - 18 UNEF	B	22
32	54.0	57.1	53.4	1 7/8 - 16 UN	B	23
40	66.5	70.0	65.5	2 5/16 - 16 UNS	B	33

(*) please refer to **Circular Connector Backshell and Accessories** Glenair catalogue on page n.19



KEY POSITIONS

Position	A°	B°
1	90	240
2	135	225
3	150	210
4	120	270

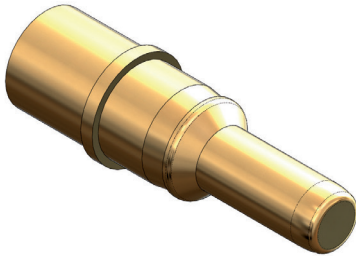


Series 921 Super ITS™ Connectors and Accessories

Pin Crimp Contacts

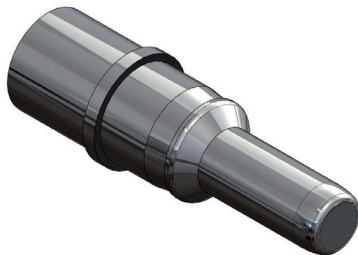
Series 921 Super ITS™ Pin Crimp Contacts

Series 921 Super ITS™ contacts for size #16 through Size #2/0 wire. Copper alloy with silver or gold plating. Terminate to wire with standard crimp tools. Contacts are snap-in, rear-release. Use in Series 921 Super ITS™ connectors.



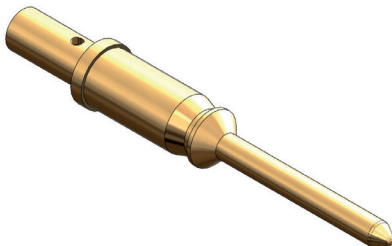
Pin contact with silver plating. For plating thickness, please consult MATERIALS AND FINISHES TABLE on Page 6. Highly conductive silver plating is ideal for high current applications.

Pin contact with gold plating for improved protection from corrosive environments. For plating thickness, please consult MATERIALS AND FINISHES TABLE on Page 6.



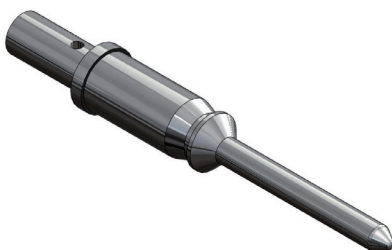
PIN CRIMP CONTACTS TABLE

Contact Size	Wire Size	Finish	Pin Contact Part Number
16	16, 20	Silver	921-16-PCG10
		Gold	921-16-PCG117
12	12, 14	Silver	921-12-PCG10
		Gold	921-12-PCG117
8	8	Silver	921-8-PCG10
	10		921-10-PCG10
4	4	Silver	921-4-PCG10
1/0	1/0	Silver	921-0-PCG10
	2/0	Silver	921-2-0-PCG10

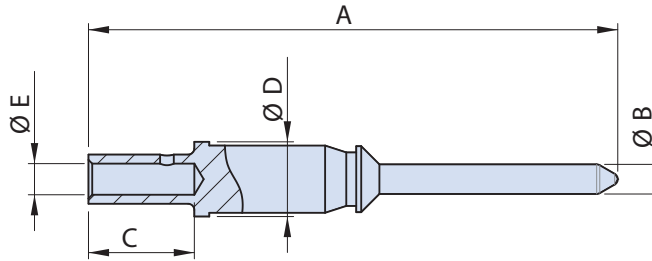


PIN CONTACT CURRENT RATINGS AND RESISTANCE

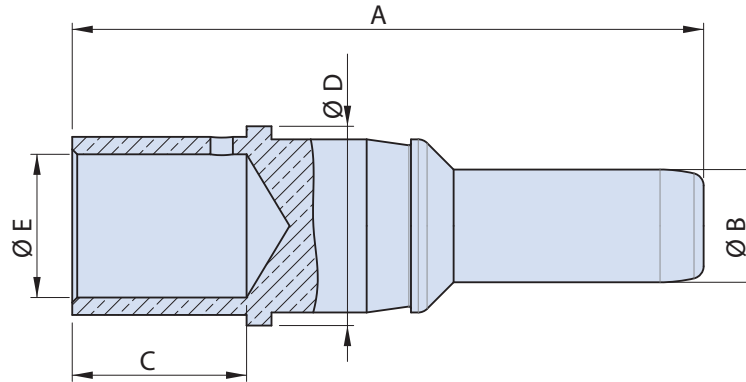
Contact and Wire Size	Current Rating at 20° C (Amperes)	Current Rating at 80° C (Amperes)	Max. Contact Resistance (milliohms)
16	25	15	6.0
12	50	28	3.0
8	90	70	1.0
4	160	130	0.5
1/0	300	250	0.3
2/0	330	280	0.3



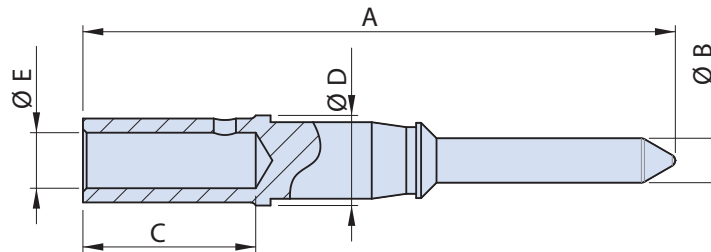
Pin Crimp Contacts



Part Number	Contact Size	A [mm]	øB [mm]	C [mm]	øD [mm]	øE [mm]
921-16-PC	16	42.5	1.58	6.35	3.7	1.7
921-12-PC	12	42.5	2.38	8.5	6.0	2.5



Part Number	Wire Size	A [mm]	øB [mm]	C [mm]	øD [mm]	øE [mm]
921-4-PC	4	48.9	5.7	12.2	10	7.1
921-6-PC	6	48.9	5.7	12.2	10	5.8
921-0-PC	1/0	50.7	9.05	14.0	16.0	11.5
921-2-0-PC	2/0	56.7	9.05	20.0	17.0	12.5



Part Number	Wire Size	A [mm]	øB [mm]	C [mm]	øD [mm]	øE [mm]
921-10-PC	10	48.9	3.6	12.2	7.3	3.6
921-8-PC	8	48.9	3.6	12.2	7.3	4.5



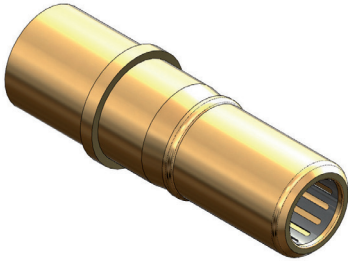


Series 921 Super ITS™ Connectors and Accessories

Socket Crimp Contacts

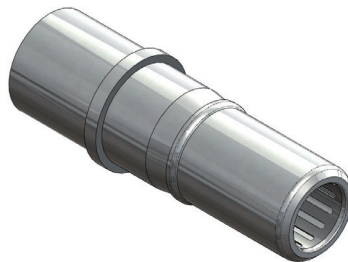
Series 921 Super ITS™ Socket Crimp Contacts

Series 921 Super ITS™ contacts for size #16 through Size #2/0 wire. Copper alloy with silver or gold plating. Terminate to wire with standard crimp tools. Contacts are snap-in, rear-release. Use in Series 921 Super ITS™ connectors.



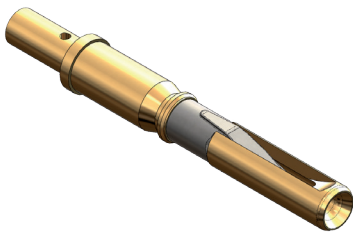
Socket contact with silver plating. For plating thickness, please consult MATERIALS AND FINISHES TABLE on Page 6. Highly conductive silver plating is ideal for high current applications.

Socket contact with gold plating for improved protection from corrosive environments. For plating thickness, please consult MATERIALS AND FINISHES TABLE on Page 6.



SOCKET CRIMP CONTACTS TABLE

Contact Size	Wire Size	Finish	Socket Contact Part Number	Contact type
16	16, 20	Silver	921-16-SC-G10	Spring Clip
		Gold	921-16-SC-G117	
12	12, 14	Silver	921-12-SC-G10	Spring Clip
		Gold	921-12-SC-G117	
8	8	Silver	921-8-SC-LBG10	Louver Band
	10		921-10-SC-LBG10	
4	4	Silver	921-4-SC-LBG10	Louver Band
1/0	1/0	Silver	921-0-SC-LBG10	Louver Band
	2/0	Silver	921-2-0-SC-LBG10	Louver Band

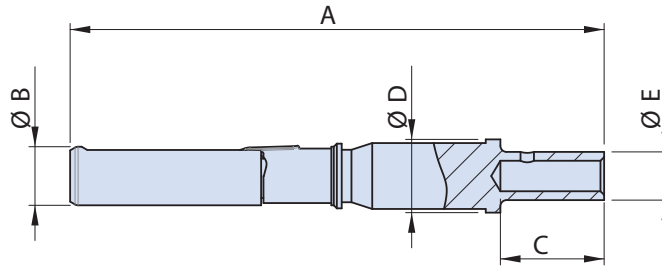


PIN CONTACT CURRENT RATINGS AND RESISTANCE

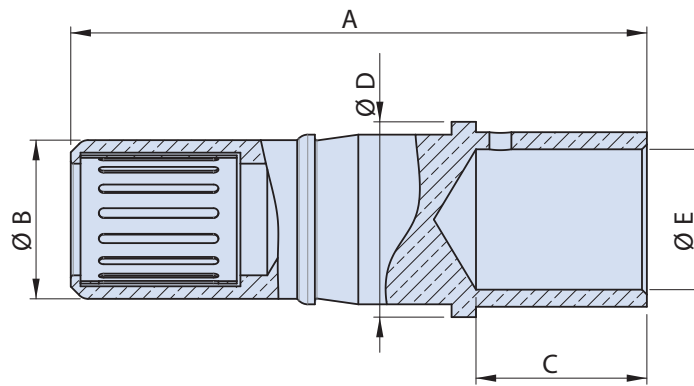
Contact and Wire Size	Current Rating at 20° C (Amperes)	Current Rating at 80° C (Amperes)	Max. Contact Resistance (milliohms)
16	25	15	6.0
12	50	28	3.0
8	90	70	1.0
4	160	130	0.5
1/0	300	250	0.3
2/0	330	280	0.3



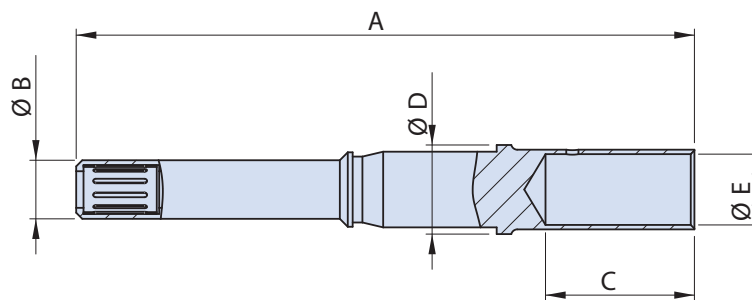
Socket Crimp Contacts



Part Number	Contact Size	A [mm]	øB [mm]	C [mm]	øD [mm]	øE [mm]
921-16-SC	16	43.75	3.7	6.35	3.7	1.7
921-12-SC	12	43.75	4.8	8.5	6.0	2.5



Part Number	Wire Size	A [mm]	øB [mm]	C [mm]	øD [mm]	øE [mm]
921-4-SC-LB	4	45.4	8.5	12.2	12.0	7.1
921-6-SC-LB	6	45.4	8.5	12.2	12.0	5.8
921-0-SC-LB	1/0	47.2	13.1	14.0	16.0	11.5
921-2-0-SC-LB	2/0	53.2	13.1	20.0	17.0	13.5



Part Number	Wire Size	A [mm]	øB [mm]	C [mm]	øD [mm]	øE [mm]
921-10-SC-LB	10	46.4	6.4	12.2	7.3	3.6
921-8-SC-LB	8	46.4	6.4	12.2	7.3	4.5





Series 921 Super ITS™ Connectors and Accessories Contact Tools

Hand Crimp Tool And Positioner For #12 and #16 Contacts



Figure	Part Number	Daniels Part Number
A	-	GF8
B	M22520/1-05	UH2-5

A Crimp tool for use with size #16 and #12 Series 921 Super ITS™ pin and socket contacts. Use with turret-type positioner 859-032. 9.75 inches OAL, 1.25 pounds.

B Positioner for use with size #12 and #16 contacts. Rotate turret head to blue position for #16 contact termination, yellow position for #12 contacts.

Hydraulic and Pneumatic Crimp Tools



C Hydraulic Crimp Tool

D Die for Hydraulic Crimp Tool

E Pneumatic Crimp Tool

F Die for Pneumatic Crimp Tool

G Locator for Pneumatic Crimp Tool

CONTACT CRIMP TOOL

Contact Size	Wire Size	Pneumatic Crimp Tool			Hydraulic Crimp Tool	
		Pneumatic Tool	Die	Locator	Hydraulic Tool	Die
8	10	M.112000	M.112001	M.112320	M.112004	M.112005
8	8	M.112000	M.112001	M.112320	M.112004	M.112005
4	4	M.112000	M.112002	M.112321	M.112004	M.112006
1/0	1/0	M.112000	M.112003	M.112322	M.112004	M.112010
1/0	2/0	M.112000	M.112003	M.112323	M.105013	M.112012

Removal Tools

Remove Series 921 Super ITS™ contacts with plastic and metallic tools.

G

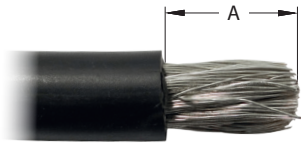


REMOVAL TOOL

Contact Size	Type	Part Number	Figure
16	Extraction	ATR-M-0402-13024	A
12	Extraction	ATR-M-0370-13024	A
8	Extraction	ATR-M-0401-13024	B
4	Extraction	ATR-M-0400-13024	B
1/0	Extraction	ATR-M-0369-13024	C

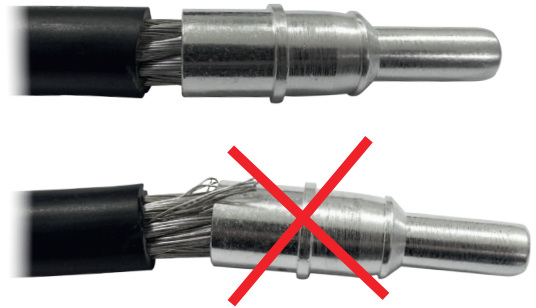
Wiring Instructions

1. Cut and strip the wire as per the TAB. below.



Wire Size	A [mm]
16	6,4
12	8,5
10	12,2
8	12,2
6	12,2
4	12,2
1/0	14
2/0	20

2. Introduce the stripped conductor in the contact bucket. Check that no strands come out.



3. Crimp the contact on the conductor with the tool indicated in TAB. "Contact Crimp Tool" on page G-5.



For further Crimping Steps details, please contact the factory.

4. Insert the contact from the rear side.

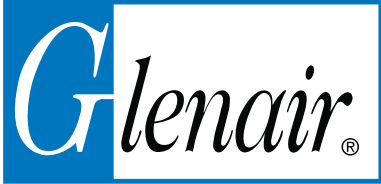


5. Thoroughly push by hand the cable until the click of the locking clip can be heard. Check the correct position of the contact by pushing it from the front part. Without the extractor it is no possible to remove the contact.



6. To remove the contact insert the removal tool (see TAB. "Removal Tool" on page G-5) from the front side of the connector and push it thoroughly. At the same time pull the cable from the rear.





Series 921 Super ITS™ Connectors and Accessories

Accessories - Backshells

Backshells and Accessories for Series 921

ENVIRONMENTAL CABLE CLAMP

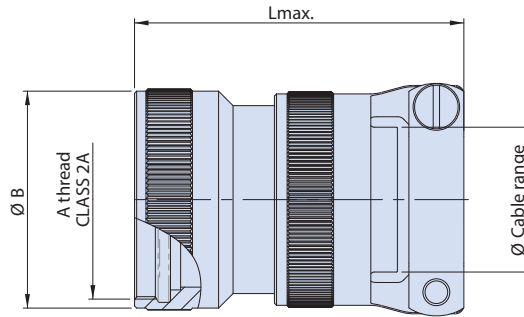


TABLE 1: DIMENSIONS

SHELL SIZE	A thread CLASS 2A	ØB max. [mm]	L max. [mm]	ØCable range [mm]		
				Option 1	Option 2	Option 3
24	1 3/8 - 18 UNEF	40	80	11,3÷19	15,5÷23,8	23,4÷31,75
28	1 5/8 - 18 UNEF	46	85	11,3÷19	15,5÷23,8	23,4÷31,75
32	1 7/8 - 16 UN	53	92	15,5÷23,8	23,4÷31,75	23,4÷35
40	2 5/16 - 16 UN	64	120	23,4÷31,75	23,4÷35	29,9÷41,25

HOW TO ORDER

MATERIAL / FINISH OPTION

SHELL SIZE	Ø Cable range [mm]	ALUMINUM	ALUMINUM	ALUMINUM	ALUMINUM	ALUMINUM	STAINLESS STEEL	MARINE BRONZE
		Black electrostatic paint	Cadmium, Olive Drab	Nickel PTFE	Electroless nickel	Anodize, Hardcoat	Passivate	Unplated
		F6	G3	MT	M	G2	Z1	AB
24	11,3÷19	921-115-24F6	921-115-24G3	921-115-24MT	921-115-24M	921-115-24G2	921-115-24Z1	921-115-24AB
	15,5÷23,8	921-116-24F6	921-116-24G3	921-116-24MT	921-116-24M	921-116-24G2	921-116-24Z1	921-116-24AB
	23,4÷31,75	921-117-24F6	921-117-24G3	921-117-24MT	921-117-24M	921-117-24G2	921-117-24Z1	921-117-24AB
28	11,3÷19	921-115-28F6	921-115-28G3	921-115-28MT	921-115-28M	921-115-28G2	921-115-28Z1	921-115-28AB
	15,5÷23,8	921-116-28F6	921-116-28G3	921-116-28MT	921-116-28M	921-116-28G2	921-116-28Z1	921-116-28AB
	23,4÷31,75	921-117-28F6	921-117-28G3	921-117-28MT	921-117-28M	921-117-28G2	921-117-28Z1	921-117-28AB
32	15,5÷23,8	921-116-32F6	921-116-32G3	921-116-32MT	921-116-32M	921-116-32G2	921-116-32Z1	921-116-32AB
	23,4÷31,75	921-117-32F6	921-117-32G3	921-117-32MT	921-117-32M	921-117-32G2	921-117-32Z1	921-117-32AB
	23,4÷35	921-118-32F6	921-118-32G3	921-118-32MT	921-118-32M	921-118-32G2	921-118-32Z1	921-118-32AB
40	23,4÷31,75	921-117-40F6	921-117-40G3	921-117-40MT	921-117-40M	921-117-40G2	921-117-40Z1	921-117-40AB
	23,4÷35	921-118-40F6	921-118-40G3	921-118-40MT	921-118-40M	921-118-40G2	921-118-40Z1	921-118-40AB
	29,9÷41,25	921-119-40F6	921-119-40G3	921-119-40MT	921-119-40M	921-119-40G2	921-119-40Z1	921-119-40AB

Backshells and Accessories for Series 921

BACKSHELL FOR USE WITH METRIC CABLE GLAND

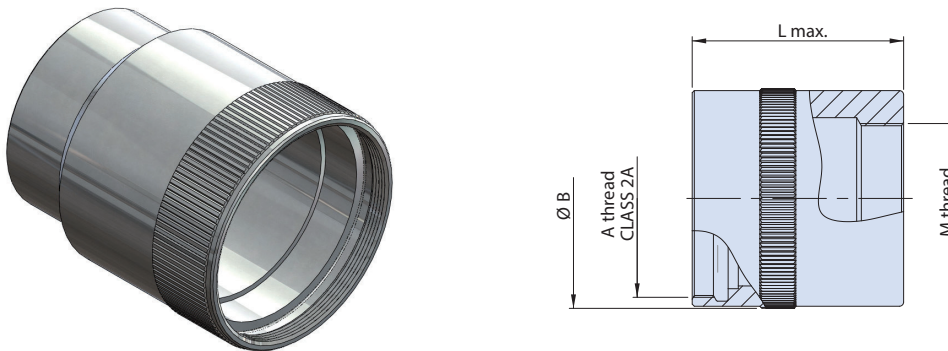


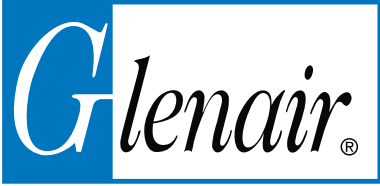
TABLE 1: DIMENSIONS

SHELL SIZE	A thread CLASS 2A	ØB [mm]	L max.	M thread		
				Option 1	Option 2	Option 3
24	1 3/8 - 18 UNEF	40	55	M25x1,5	M32x1,5	M36x1,5
28	1 5/8 - 18 UNEF	46	60	M25x1,5	M32x1,5	M36x1,5
32	1 7/8 - 16 UN	53	70	M32x1,5	M36x1,5	M40x1,5
40	2 5/16 - 16 UN	64	80	M36x1,5	M40x1,5	M50x1,5

HOW TO ORDER

MATERIAL / FINISH OPTION

SHELL SIZE	M thread	ALUMINUM	ALUMINUM	ALUMINUM	ALUMINUM	ALUMINUM	STAINLESS STEEL	MARINE BRONZE
		Black electrostatic paint	Cadmium, Olive Drab	Nickel PTFE	Electroless nickel	Anodize, Hardcoat	Passivate	Unplated
		F6	G3	MT	M	G2	Z1	AB
24	M25x1,5	921-105-24F6	921-105-24G3	921-105-24MT	921-105-24M	921-105-24G2	921-105-24Z1	921-105-24AB
	M32x1,5	921-106-24F6	921-106-24G3	921-106-24MT	921-106-24M	921-106-24G2	921-106-24Z1	921-106-24AB
	M36x1,5	921-107-24F6	921-107-24G3	921-107-24MT	921-107-24M	921-107-24G2	921-107-24Z1	921-107-24AB
28	M25x1,5	921-105-28F6	921-105-28G3	921-105-28MT	921-105-28M	921-105-28G2	921-105-28Z1	921-105-28AB
	M32x1,5	921-106-28F6	921-106-28G3	921-106-28MT	921-106-28M	921-106-28G2	921-106-28Z1	921-106-28AB
	M36x1,5	921-107-28F6	921-107-28G3	921-107-28MT	921-107-28M	921-107-28G2	921-107-28Z1	921-107-28AB
32	M32x1,5	921-106-32F6	921-106-32G3	921-106-32MT	921-106-32M	921-106-32G2	921-106-32Z1	921-106-32AB
	M36x1,5	921-107-32F6	921-107-32G3	921-107-32MT	921-107-32M	921-107-32G2	921-107-32Z1	921-107-32AB
	M40x1,5	921-108-32F6	921-108-32G3	921-108-32MT	921-108-32M	921-108-32G2	921-108-32Z1	921-108-32AB
40	M36x1,5	921-107-40F6	921-107-40G3	921-107-40MT	921-107-40M	921-107-40G2	921-107-40Z1	921-107-40AB
	M40x1,5	921-108-40F6	921-108-40G3	921-108-40MT	921-108-40M	921-108-40G2	921-108-40Z1	921-108-40AB
	M50x1,5	921-109-40F6	921-109-40G3	921-109-40MT	921-109-40M	921-109-40G2	921-109-40Z1	921-109-40AB



Series 921 Super ITS™ Connectors and Accessories
Accessories - Backshells

Backshells and Accessories for Series 921

WIRE MESH STRAIN RELIEF GRIP

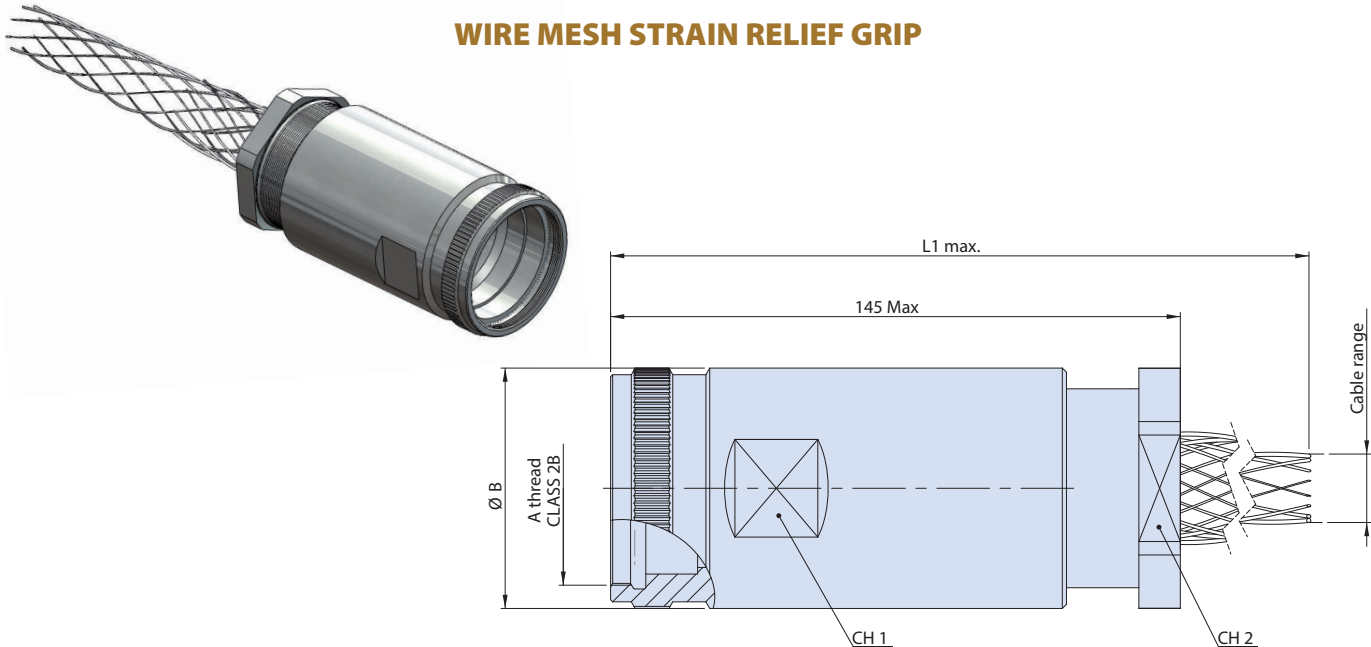


TABLE 1: DIMENSIONS AND KG CODE

SHELL SIZE	KG CODE	REF.	CABLE RANGE [mm]		A thread CLASS 2B	ØB max. [mm]	L1 max. [mm]	CH 1 [mm]	CH 2 [mm]
			Min.	Max.					
32	KG2	MS90561-2	25,5	29,1	1 7/8 - 16 UN	59	305	53	52
	KG3	MS90561-3	26,8	32,0			320		
	KG13	MS90561-13	30,1	34,1			335		
40	KG6	MS90561-6	31,0	34,9	2 5/16 - 16 UNS	69	360	63	62
	KG15	MS90561-15	34,5	38,5			385		
	KG19	MS90561-19	39,4	44,4			410		

HOW TO ORDER

MATERIAL / FINISH OPTION

SHELL SIZE	KG CODE	ALUMINUM	ALUMINUM	ALUMINUM	ALUMINUM	ALUMINUM	STAINLESS STEEL	MARINE BRONZE
		Black electrostatic paint	Cadmium, Olive Drab	Nickel PTFE	Electroless nickel	Anodize, Hardcoat	Passivate	Unplated
		F6	G3	MT	M	G2	Z1	AB
32	KG2	921-123-32F6	921-123-32G3	921-123-32MT	921-123-32M	921-123-32G2	921-123-32Z1	921-123-32AB
	KG3	921-124-32F6	921-124-32G3	921-124-32MT	921-124-32M	921-124-32G2	921-124-32Z1	921-124-32AB
	KG13	921-125-32F6	921-125-32G3	921-125-32MT	921-125-32M	921-125-32G2	921-125-32Z1	921-125-32AB
40	KG6	921-126-40F6	921-126-40G3	921-126-40MT	921-126-40M	921-126-40G2	921-126-40Z1	921-126-40AB
	KG15	921-127-40F6	921-127-40G3	921-127-40MT	921-127-40M	921-127-40G2	921-127-40Z1	921-127-40AB
	KG19	921-128-40F6	921-128-40G3	921-128-40MT	921-128-40M	921-128-40G2	921-128-40Z1	921-128-40AB

Backshells and Accessories for Series 921

EMI/RFI ADAPTER, BAND SHIELD TERMINATION

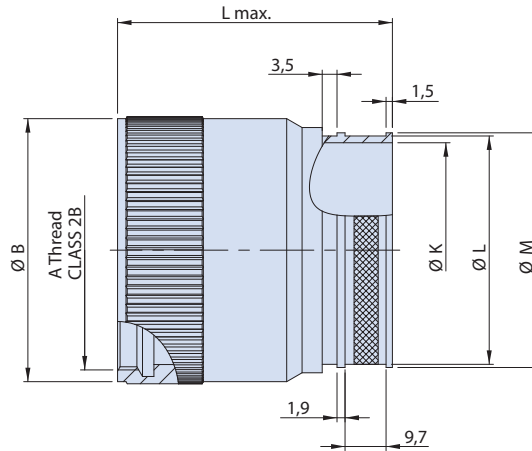


TABLE 1: DIMENSIONS

SHELL SIZE	A thread CLASS 2B	ØB [mm]	L max. [mm]	Cable entry
24	1 3/8 - 18 UNEF	40	65	14
				16
				18
28	1 5/8 - 18 UNEF	46	65	14
				16
				18
32	1 7/8 - 16 UN	53	70	18
				19
				20
40	2 5/16 - 16 UN	64	75	20
				23
				24

TABLE 2: CABLE ENTRY

CABLE ENTRY	ØK [mm]	ØL [mm]	ØM [mm]
14	23,8	27	28,5
16	27	30,2	31,8
18	31,8	34,9	36,5
19	34,9	38,1	39,7
20	38,1	41,3	42,8
23	47,6	50,8	52,4
24	50,8	54	55,5

HOW TO ORDER

MATERIAL / FINISH OPTION

SHELL SIZE	Cable entry	ALUMINUM	ALUMINUM	ALUMINUM	ALUMINUM	ALUMINUM	STAINLESS STEEL	MARINE BRONZE
		Black electrostatic paint	Cadmium, Olive Drab	Nickel PTFE	Electroless nickel	Anodize, Hardcoat	Passivate	Unplated
		F6	G3	MT	M	G2	Z1	AB
24	14	921-133-24F6	921-133-24G3	921-133-24MT	921-133-24M	921-133-24G2	921-133-24Z1	921-133-24AB
	16	921-134-24F6	921-134-24G3	921-134-24MT	921-134-24M	921-134-24G2	921-134-24Z1	921-134-24AB
	18	921-135-24F6	921-135-24G3	921-135-24MT	921-135-24M	921-135-24G2	921-135-24Z1	921-135-24AB
28	14	921-133-28F6	921-133-28G3	921-133-28MT	921-133-28M	921-133-28G2	921-133-28Z1	921-133-28AB
	16	921-134-28F6	921-134-28G3	921-134-28MT	921-134-28M	921-134-28G2	921-134-28Z1	921-134-28AB
	18	921-135-28F6	921-135-28G3	921-135-28MT	921-135-28M	921-135-28G2	921-135-28Z1	921-135-28AB
32	18	921-135-32F6	921-135-32G3	921-135-32MT	921-135-32M	921-135-32G2	921-135-32Z1	921-135-32AB
	19	921-136-32F6	921-136-32G3	921-136-32MT	921-136-32M	921-136-32G2	921-136-32Z1	921-136-32AB
	20	921-137-32F6	921-137-32G3	921-137-32MT	921-137-32M	921-137-32G2	921-137-32Z1	921-137-32AB
40	20	921-137-40F6	921-137-40G3	921-137-40MT	921-137-40M	921-137-40G2	921-137-40Z1	921-137-40AB
	23	921-138-40F6	921-138-40G3	921-138-40MT	921-138-40M	921-138-40G2	921-138-40Z1	921-138-40AB
	24	921-139-40F6	921-139-40G3	921-139-40MT	921-139-40M	921-139-40G2	921-139-40Z1	921-139-40AB





Series 921 Super ITS™ Connectors and Accessories

Accessories - Metal Protective Covers

Metal Protective Covers

Metal covers protect unmated series 921 connectors. Available with no attachment or choose sash chain or nylon coated wire rope attachments from the ordering table. For shell materials and finishes see HOW TO ORDER table .



*Plug Cover with
Sash Chain*



*Receptacle Cover
with Sash Chain*



*Plug Cover with
Nylon Coated SST
Wire Rope*



*Receptacle Cover
with Nylon Coated
SST Wire Rope*

MATERIALS AND FINISHES

Cover	Aluminum or stainless steel. See ordering information for finish options
Gasket (Receptacle Cover)	Silicone
Rivet, Ring, Clevis	Stainless steel

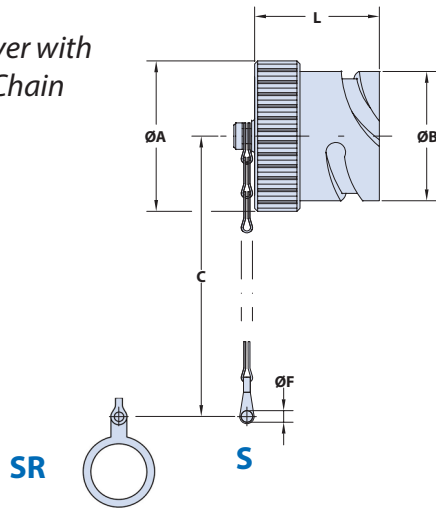
HOW TO ORDER

Sample Part Number			
921-02T -	24	F6	N
Series	Shell Size	Shell Material and Finish	Attachment Type
921-02T Receptacle Cover	24	F6 Aluminum, Black Electrostatic Paint	N No Attachment
	28		S Sash Chain with Clevis Fitting
921-06T Plug Cover	32	G3 Aluminum, Cadmium, Olive Drab	H Nylon Coated SST Wire Rope with Ring Terminal
	40		SR Sash Chain with Ring for Jam Nut
			G2 Aluminum, Anozide, Hardcoat
		Z1 Stainless Steel, Passivate	

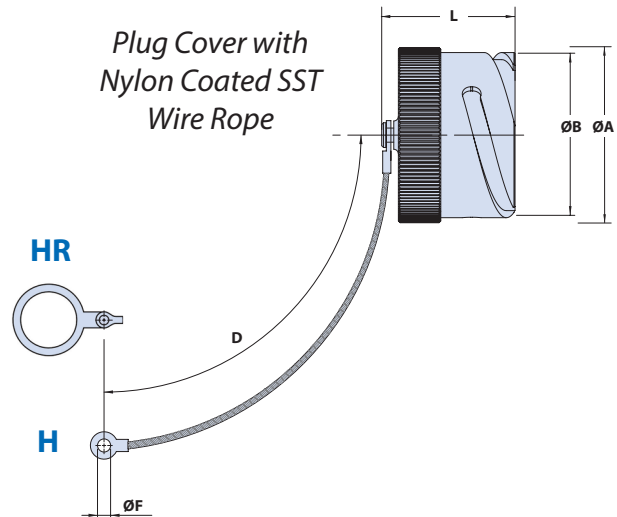
Series 921 Super ITS™ Connectors and Accessories
 Accessories - Metal Protective Covers



Plug Cover with Sash Chain

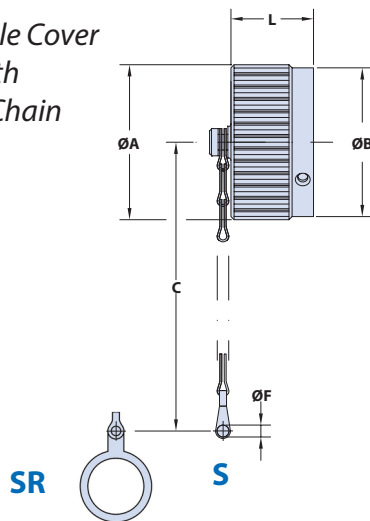


Plug Cover with Nylon Coated SST Wire Rope

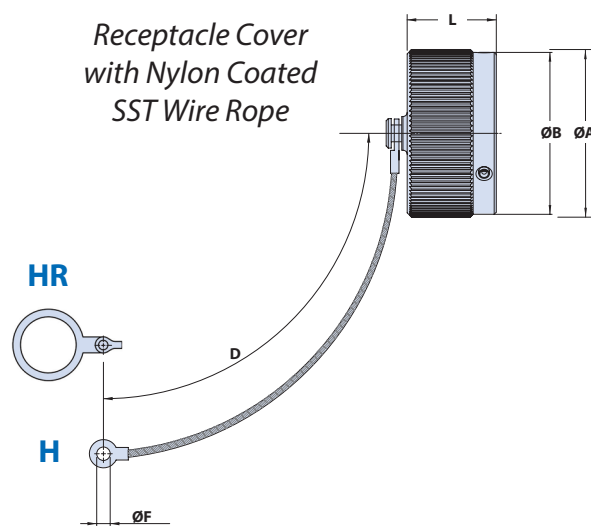


Shell Size	ØA Max.	ØB ±0.1	C min.	D min.	ØF ±0.2 -0	L Max.
24	46.5	40.9	138	193	4.8	33.0
28	54.0	46.7	206	193	4.8	33.0
32	60.0	53.4	206	193	5.6	34.2
40	73.0	65.5	206	193	5.6	34.2

Receptacle Cover with Sash Chain



Receptacle Cover with Nylon Coated SST Wire Rope



Shell Size	ØA Max.	ØB ±0.1	C min.	D min.	ØF ±0.2 -0	L Max.
24	46.5	45.2	123	193	4.3	21.2
28	53.3	52.0	206	193	5.6	21.2
32	60.0	58.7	206	193	5.6	21.2
40	72.3	71.3	206	193	5.6	21.2



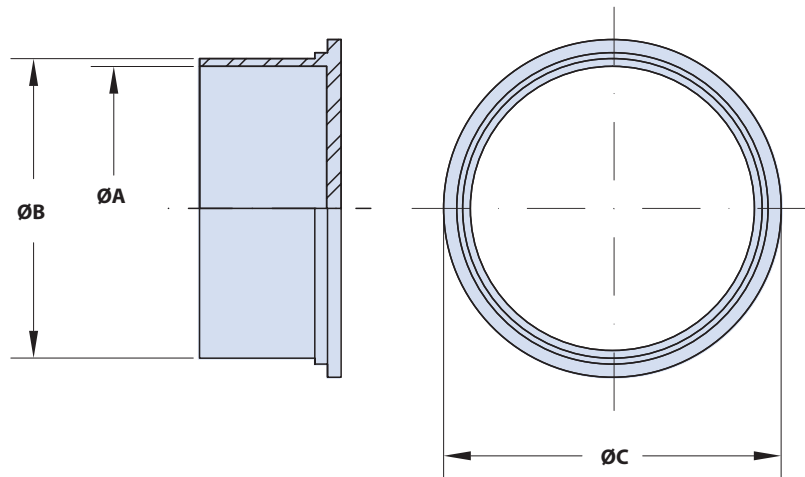


Series 921 Super ITS™ Connectors and Accessories

Accessories - Plastic Protective Covers and Single Wire Seal

Plastic Protective Covers

Plastic cap for receptacle and plug connectors for protection against dust and mechanical damage for use during shipping and storage.



RECEPTACLE PLASTIC DUST CAP
PART NUMBERS, SHELL SIZE AND DIMENSIONS

Shell Size	Part Number	ØA ±0.25	ØB ±0.25	ØC ±0.78
24	IT P02-24	40.65	43.20	47.00
28	IT P02-28	46.45	49.05	52.00
32	IT P02-32	53.15	55.75	60.00
40	IT P02-40	65.25	67.85	72.00

PLUG PLASTIC DUST CAP
PART NUMBERS, SHELL SIZE AND DIMENSIONS

Shell Size	Part Number	ØA ±0.25	ØB ±0.25	ØC ±0.78
24	IT 90376-24R	37.16	39.94	43.18
28	IT 90376-28R	43.56	45.46	49.53
32	IT 90376-32R	49.91	51.82	56.39
40	IT 90376-40R	61.98	64.26	67.56

Single Wire Seal

Single wire seal adaptable to various cable diameters through cutting.



SINGLE WIRE SEAL

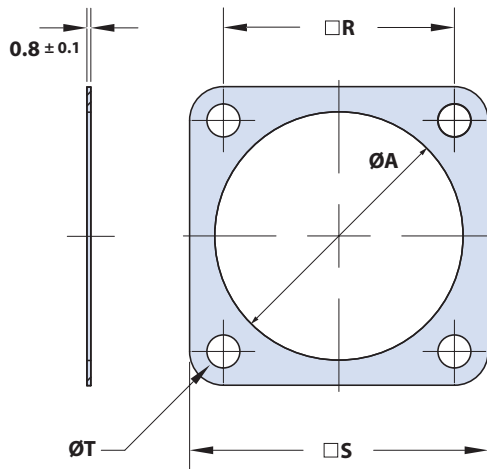
Contact Size	Part Number	Cable Overall Diameter Diameter Dimensions	
		Ø min.	Ø max.
16	921-16-WS	1	4
12	921-12-WS	2	5
8	921-8-WS	4	8
4	921-4-WS	7	12.7
1/0	921-0-WS	10	15.8
2/0	921-2-0-WS	12	17.8

Series 921 Super ITST™ Connectors and Accessories
Flange Mount Gaskets
 Front and Rear Mount Square Flange Receptacle



Flange Mount Gaskets

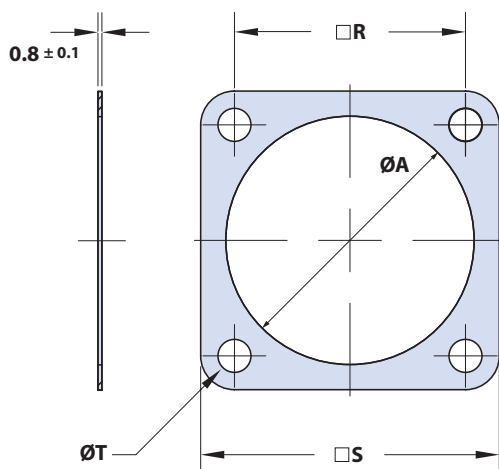
FRONT MOUNT SQUARE FLANGE RECEPTACLE GASKETS



Shell Size	Part Number	Material	ØA +0.1	R ±0.2	S ±0.5	ØT +0.5
24	921-014-S24	Non Conductive	38.0	34.9	44.5	4.2
28	921-014-S28		44.3	39.7	50.8	5.1
32	921-014-S32		50.7	44.5	57.0	5.1
40	921-014-S40		61.9	55.5	69.9	5.1

Shell Size	Part Number	Material	ØA +0.1	R ±0.2	S ±0.5	ØT +0.5
24	921-014-X24	Conductive	38.0	34.9	44.5	4.2
28	921-014-X28		44.3	39.7	50.8	5.1
32	921-014-X32		50.7	44.5	57.0	5.1
40	921-014-X40		61.9	55.5	69.9	5.1

REAR MOUNT SQUARE FLANGE RECEPTACLE GASKETS



Shell Size	Part Number	Material	ØA +0.3	R ±0.2	S ±0.5	ØT +0.5
24	921-024-S24	Non Conductive	40.9	34.9	44.5	4.2
28	921-024-S28		46.7	39.7	50.8	5.1
32	921-024-S32		53.4	44.5	57.0	5.1
40	921-024-S40		65.5	55.5	69.9	5.1

Shell Size	Part Number	Material	ØA +0.3	R ±0.2	S ±0.5	ØT +0.5
24	921-024-X24	Conductive	40.9	34.9	44.5	4.2
28	921-024-X28		46.7	39.7	50.8	5.1
32	921-024-X32		53.4	44.5	57.0	5.1
40	921-024-X40		65.5	55.5	69.9	5.1





Series 921 Super ITS™ Connectors and Accessories

Part Number Index

Introduction

Section Index, Cutaway View, Features and Benefits and Connector Selection Guide

Page A-3/ A-6

Technical references

Contact Arrangements, Contact Rating, Materials and Finishes and Product Specification

Page B-1/ B-7

Wall Mounting Receptacles

921-002 Wall Mounting Receptacle with Accessory Thread - Thru Holes

Page C-1/ C-2

Wall Mounting Receptacles

921-003 Wall Mounting Receptacle with Accessory Thread - Clinch Nuts

Page C-3/ C-4

Straight Plug Connectors

921-006 Straight Plug Connector with Accessory Thread and Artic Coupling Nut

Page D-1/ D-2

Straight Plug Connectors

921-005 Straight Plug Connector with Accessory Thread and Rubber Coated Coupling Nut

Page D-3/ D-4

Jam Nut Receptacles

921-007 Jam Nut Receptacle Connector with Accessory Thread

Page E-1/ E-2

In-Line Receptacles

921-001 In-Line Receptacle Connector with Accessory Thread

Page F-1/ F-2

Contacts

Pin Contacts

Page G-1/ G-2

Contacts

Socket Contacts

Page G-3/ G-4

Contact Tools and Wiring Instructions

Page G-5/ G-6

Contact Tools, Removal Tools and Wiring Instructions

Accessories: Backshells

Page H-1

Environmental Cable Clamp

Accessories: Backshells

Page H-2

Backshell for use with Metric Cable Gland

Accessories: Backshells

Page H-3

Kellem Strain Relief Grip

Accessories: Backshells

Page H-4

EMI/RFI Adapter, Band Shield Termination

Accessories: Metal Protective Covers

Page H-5/ H-6

Metal Protective Covers

Accessories: Plastic Protective Covers and Single Wire Seal

Page H-7

Plastic Protective Covers and Single Wire Seal

Accessories: Flange Mount Gaskets

Page H-8

Front and Rear Mount Square Flange Receptacle

Index

Page I-1/ I-2

Part Number Index

Why Choose **GLENAIR?**



Plenty of Raw Materials!



Outstanding
Customer Service!



Abundant Machining Capacity!



In-House Assembly!



Huge "Same-Day" Inventory!



One of North America's
and Machining



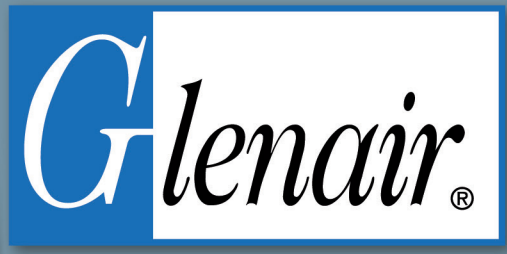
High-Production Injection Molding Equipment



State-of-the-Art Plating Capabilities



The Industry's Most Experienced EMI/RFI Braided Shielding Specialists



Largest CNC Milling Installations



Clean Rooms for Filter Array and Printed Circuit Board Assembly



Out of This World

INTERCONNECT SOLUTIONS

Glenair, Inc.

1211 Air Way • Glendale, California • 91201-2497

Telephone: 818-247-6000 • Fax: 818-500-9912 • sales@glenair.com

www.glenair.com

Glenair Power Products Group

860 N. Main Street Extension
Wallingford, CT
06492

Telephone:
203-741-1115
Facsimile:
203-741-0053
sales@glenair.com

Glenair UK Ltd

40 Lower Oakham Way
Oakham Business Park
P.O. Box 37, Mansfield
Notts, NG18 5BY England

Telephone:
+44-1623-638100
Facsimile:
+44-1623-638111
sales@glenair.co.uk

Glenair Microway Systems

7000 North Lawndale Avenue
Lincolnwood, IL
60712

Telephone:
847-679-8833
Facsimile:
847-679-8849

Glenair Nordic AB

Gustav III : S Boulevard 46
SE-169 27 Solna
Sweden

Telephone:
+46-8-50550000
sales@glenair.se

Glenair Electric GmbH

Schaberweg 28
61348 Bad Homburg
Germany

Telephone:
06172 / 68 16 0
Facsimile:
06172 / 68 16 90
germany@glenair.com

Glenair Iberica

C/ La Vega, 16
45612 Velada
Spain

Telephone:
+34-925-89-29-88
Facsimile:
+34-925-89-29-87
sales@glenair.es

Glenair Italia S.p.A.

Via Del Lavoro, 7
40057 Quarto Inferiore –
Granarolo dell'Emilia
Bologna, Italy

Telephone:
+39-051-782811
Facsimile:
+39-051-782259
info@glenair.it

Glenair France SARL

7, Avenue Parmentier
Immeuble Central Parc #2
31200 Toulouse
France

Telephone:
+33-5-34-40-97-40
Facsimile:
+33-5-61-47-86-10
sales@glenair.fr

Glenair Korea

B-1304 Gunpo IT Valley
148 Gosan-Ro, Gunpo-Si
Kyunggi-Do, Korea
435-733

Telephone:
+82-31-8068-1090
Facsimile:
+82-31-8068-1092
sales@glenair.kr