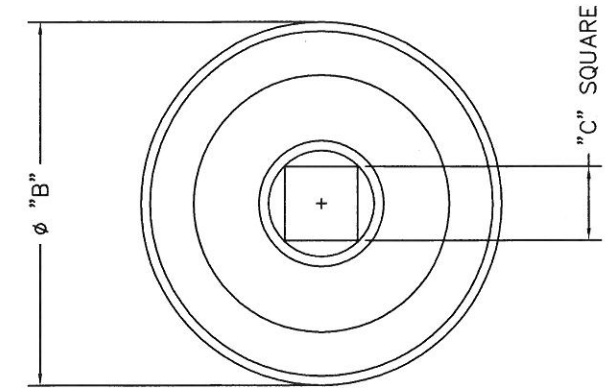


REV. SYM.		E.O. NUMBER		DESCRIPTION		BY DATE		APPROV. DATE	
1				ORIGINAL RELEASE			2-10-00		2-10-00



**UNCONTROLLED DOCUMENT
WILL NOT BE UPDATED
DIMENSIONS IN INCHES - UNLESS OTHERWISE SPECIFIED**

PART NO.	DIM. "A"	DIM. "B"	DIM. "C"	KEYING POSITIONS
CM837RB-24	1.690	1.750	3/8	ALL
CM837RB-22	1.565	1.625	3/8	ALL
CM837RB-20	1.440	1.500	3/8	ALL
CM837RB-18	1.315	1.375	3/8	ALL
CM837RB-16	1.190	1.250	1/4	ALL
CM837RB-14	1.065	1.125	1/4	ALL
CM837RB-12	1.000	1.062	1/4	ALL
CM837RB-10	.875	.937	1/4	ALL
CM837RB-8	.752	.812	1/4	ALL

RESTRICTED & CONFIDENTIAL		MATERIAL		ITEM		PART NO.		QTY.		DESCRIPTION/REMARKS	
CONFIDENTIAL PROPERTY OF DANIELS MANUFACTURING CORP. NOT TO BE DISCLOSED TO OTHERS, REPRODUCED OR USED FOR ANY OTHER PURPOSE, WITHOUT THE WRITTEN PERMISSION OF DANIELS MANUFACTURING BY DANIELS MANUFACTURING. MUST BE RETURNED TO DANIELS MANUFACTURING CORP. ON COMPLETION OF ORDER OR OTHER PURPOSE FOR WHICH LEFT.		HEAT TREAT		DRN.	JMC	DATE	2-10-00	DANIELS MANUFACTURING CORP. ORLANDO, FLORIDA		ADAPTOR TOOL	
		FINISH		CHKD.	JWJ	DATE	2-10-00	MIL-C-83723 & MIL-C-26500 SERIES 3 BAYONET RECEPTACLES		ENVELOPE DRAWING	
DO NOT SCALE DRAWING				APP'D.		DATE		WHERE USED:		SCALE	SHEET OF
				NOTE: THIS DRAWING IS AN OUTLINE DRAWING OF THE RESPECTIVE DMC PART NUMBER INDICATED. ACTUAL DMC PART NUMBER IS DRAWING NUMBER WITH THE "ENV" SUFFIX.				CM-S-837RB-ENV		1	1
								CM-S-837RB-ENV		1	1