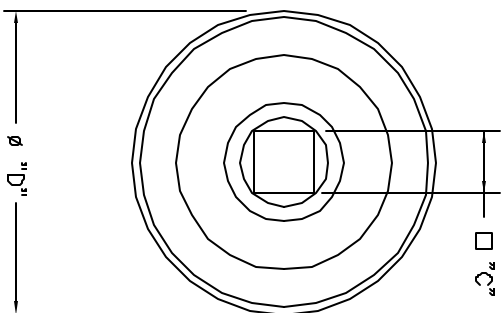
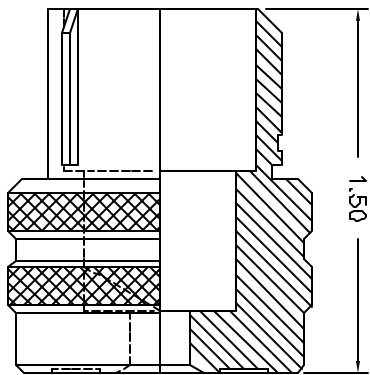
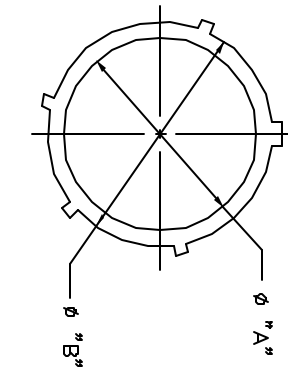


REV.	ECN#	DESCRIPTION	BY	APP'D
1	NUMBER	DESCRIPTION	DATE	DATE
1		ORIGINAL RELEASE	12-2-87	12-87



CM389TR-25B	1.260	1.405	3/8	1.750	A,B,C,D,E
CM389TR-25A	1.260	1.405	3/8	1.750	N
CM389TR-23B	1.135	1.280	3/8	1.625	A,B,C,D,E
CM389TR-23A	1.135	1.280	3/8	1.625	N
CM389TR-21B	1.010	1.154	3/8	1.500	A,B,C,D,E
CM389TR-21A	1.010	1.154	3/8	1.500	N
CM389TR-19B	.886	1.030	3/8	1.375	A,B,C,D,E
CM389TR-19A	.886	1.030	3/8	1.375	N
CM389TR-17B	.797	.925	1/4	1.250	A,B,C,D,E
CM389TR-17A	.797	.925	1/4	1.250	N
CM389TR-15B	.672	.800	1/4	1.125	A,B,C,D,E
CM389TR-15A	.672	.800	1/4	1.125	N
CM389TR-13B	.547	.675	1/4	1.000	A,B,C,D,E
CM389TR-13A	.547	.675	1/4	1.000	N
CM389TR-11B	.433	.562	1/4	.875	A,B,C,D,E
CM389TR-11A	.433	.562	1/4	.875	N
CM389TR-9B	.315	.435	1/4	.812	A,B,C,D,E
CM389TR-9A	.315	.435	1/4	.812	N
PART NO.	DIM. ¹ A*	DIM. ¹ B*	DIM. ¹ C*	DIM. ¹ D*	FINISH

RESTRICTED & CONFIDENTIAL
 CONFIDENTIAL PROPERTY OF DANIELS MANUFACTURING CORP. NOT TO BE DISCLOSED TO OTHERS, REPRODUCED OR USED FOR ANY OTHER PURPOSES, EXCEPT AS AUTHORIZED IN WRITING BY DANIELS MANUFACTURING CORP. ON COMPLETION OF ORDER OR OTHER PURPOSE FOR WHICH INT.

DO NOT SCALE DRAWING

ITEM	PART NO.	QTY.	DESCRIPTION/REMARKS
DRN D.DEP/AVN/A	DATE 12/87		
DRNO DE	DATE 2/87		
APRD	DATE		
APRD	DATE		
NOTE: THIS DRAWING IS AN OUTLINE DRAWING OF THE RECEIPTIVE INDENTED ACTUAL DIMS. DIM PART NUMBERS MUST BE RETURNED TO DANIELS MANUFACTURING CORP. ON COMPLETION OF ORDER OR OTHER PURPOSE FOR WHICH INT.			
WHERE USED SIZE B SCALE 2X PART NO. CM-S-389TR-ENV SHEET 1 OF 1		DANIELS MANUFACTURING CORP. ORLANDO, FLORIDA CASE 17857 MIL-C-38999 SERIES III ENVELOPE DRAWING	

UNCONTROLLED DOCUMENT
 WILL NOT BE UPDATED