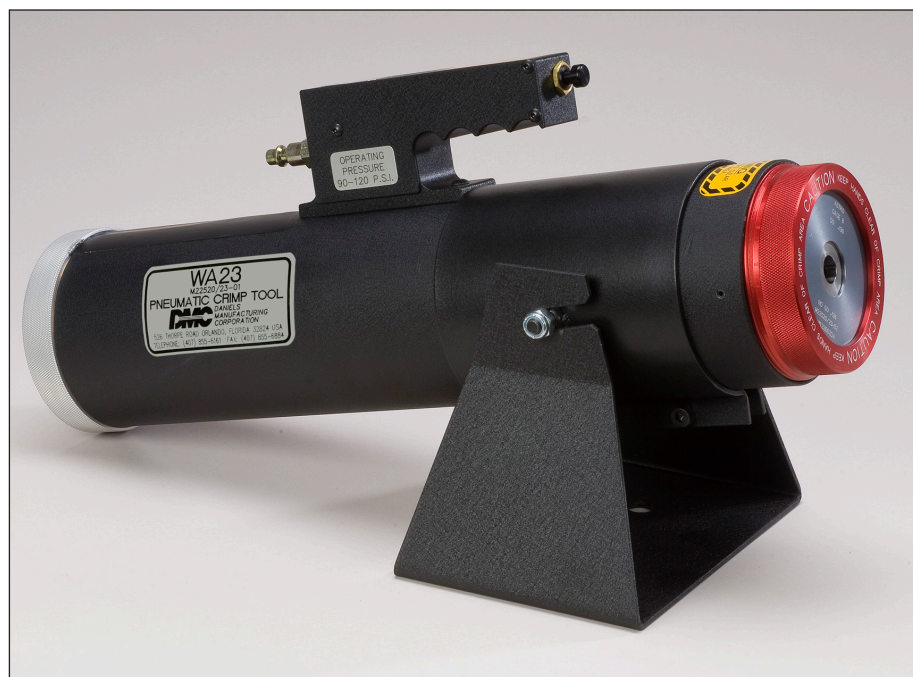


# WA23 (M22520/23-01) Pneumatic Indent Crimp Tool

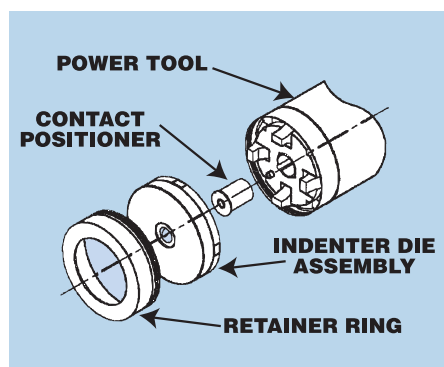


## WA23 M22520/23 PNEUMATIC INDENT CRIMP TOOL

DMC's heavy pneumatic indent crimp tool functions with the push of a button for operator ease. This heavy duty crimp tool accommodates large size contacts 8 through 0000 (AWG) and operates on standard 90–125 psi (5.4–8.16 BAR) shop air sources.

It is engineered with the operator's safety in mind and features a full cycle control system. This tool is portable and needs no extra booster for large size contacts.

The standard die assembly and positioner are easily interchangeable with no special tool required. Custom dies and positioners may be designed to specific requirements. An optional foot valve is available upon request (P/N WA23FP).



### SPECIFICATIONS

- Length: 17" (432 mm)
- Tool Width: 4.25" (108 mm)
- Base Width: 7" (178 mm)
- Height: 10" (254 mm)
- Mass/Weight: 18.74 lbs (8.5kg)
- Avg. Crimp Time: 5 seconds

### WA23FP FOOT PEDAL

The WA23FP foot pedal automates the operation of the WA23 Pneumatic Crimp Tool, and allows for hands free operation. Air supply requirements are 90-120 PSI clean, dry air.

### WA23 & DIES KIT

The WA23 and all MIL Spec dies & positioners are available in one convenient tool Kit package. Part number **DMC1663**

## M22520/23 TOOL, DIE AND POSITIONER LIST

MIL P/N	DESCRIPTION	DMC P/N
M22520/23-01	Crimp Tool	WA23
M22520/23-02	Die Assy. 8	WA23-2
M22520/23-03	Die Assy. 6	WA23-3
M22520/23-04	Die Assy. 4	WA23-4
M22520/23-05	Die Assy. 1/0	WA23-5
M22520/23-06	Die Assy. 2/0	WA23-6
M22520/23-07	Die Assy. 4/0	WA23-7
M22520/23-09	Positioner 8	WA23-9
M22520/23-10	Positioner 6	WA23-10
M22520/23-11	Positioner 4	WA23-11
M22520/23-12	Positioner 4, 4N, 4G	WA23-12
M22520/23-13	Positioner 1/0	WA23-13
M22520/23-14	Positioner 1/0, 1/0N	WA23-14
M22520/23-15	Positioner 2/0, 2/0N	WA23-15
M22520/23-16	Positioner 4/0, 4/0N	WA23-16

MIL P/N	CONTACT SIZE	"GO"	"NO-GO"	GAGE P/N
M22520/23-02	8	.130	.136	G693
M22520/23-03	6	.171	.178	G694
M22520/23-04	4	.195	.202	G695
M22520/23-05	1/0	.325	.332	G696
M22520/23-06	2/0	.351	.358	G697
M22520/23-07	4/0	.425	.432	G698

Non-MIL Dies and Positioners Are Also Available

# WA23 (M22520/23-01)

## Contact Cross Reference

CONTACT PART #	BIN CODE	TYPE P/S	SIZE	DIE ASSEMBLY	POSITIONER
MIL-C-5015 Front Release (3400 Series)					
M39029/44	291	P	8	WA23-2	WA23-9
M39029/45	298	S	8	WA23-2	WA23-9
M39029/44	292	P	4	WA23-4	WA23-11
M39029/45	299	S	4	WA23-4	WA23-11
M39029/44	293	P	0	WA23-5	WA23-13
M39029/45	300	S	0	WA23-5	WA23-13

CONTACT PART #	BIN CODE	TYPE P/S	SIZE	DIE ASSEMBLY	POSITIONER
MIL-C-5015 Rear Release (3450 Series)					
M39029/29	214	P	8	WA23-2	WA23-9
M39029/30	220	S	8	WA23-2	WA23-9
M39029/29	215	P	4	WA23-4	WA23-11
M39029/30	221	S	4	WA23-4	WA23-11
M39029/29	216	P	0	WA23-5	WA23-13
M39029/30	222	S	0	WA23-5	WA23-13

CONTACT PART #	BIN CODE	TYPE P/S	SIZE	DIE ASSEMBLY	POSITIONER
MIL-C-22992 Class L Heavy Duty Cylindrical Connector					
M39029/48	317	P	6	WA23-3	WA23-10
M39029/48	318	P	6N	WA23-3	WA23-10
M39029/48	319	P	6G	WA23-3	WA23-10
M39029/49	329	S	6	WA23-3	WA23-10
M39029/49	330	S	6G	WA23-3	WA23-10
M39029/48	320	P	4	WA23-4	WA23-12
M39029/48	321	P	4N	WA23-4	WA23-12
M39029/48	322	P	4G	WA23-4	WA23-12
M39029/49	331	S	4	WA23-4	WA23-12
M39029/49	332	S	4G	WA23-4	WA23-12
M39029/48	323	P	1/0	WA23-5	WA23-14
M39029/48	324	P	1/0N	WA23-5	WA23-14
M39029/49	333	S	1/0	WA23-5	WA23-14
M39029/48	325	P	2/0	WA23-6	WA23-15
M39029/48	326	P	2/0N	WA23-6	WA23-15
M39029/49	334	S	2/0	WA23-6	WA23-15
M39029/48	327	P	4/0	WA23-7	WA23-16
M39029/48	328	P	4/0N	WA23-7	WA23-16
M39029/49	335	S	4/0	WA23-7	WA23-16

CONTACT PART #	BIN CODE	TYPE P/S	SIZE	DIE ASSEMBLY	POSITIONER
J-Tech					
541-220-0808	214	P	8	WA23-2	WA23-9
541-220-0404	215	P	4	WA23-4	WA23-11
542-220-0808	220	S	8	WA23-2	WA23-9
542-220-0404	221	S	4	WA23-4	WA23-11

CONTACT PART #	BIN CODE	TYPE P/S	SIZE	DIE ASSEMBLY	POSITIONER
Amphenol/Bendix					
10-497100-6	317	P	6	WA23-3	WA23-10
10-497102-6	318	P	6N	WA23-3	WA23-10
10-497222-6	319	P	6	WA23-3	WA23-10
10-497100-4	320	P	4	WA23-4	WA23-12
10-497102-4	321	P	4N	WA23-4	WA23-12
10-497222-4	322	P	4G	WA23-4	WA23-12
10-497100-3	323	P	1/0	WA23-5	WA23-14
10-497102-3	324	P	1/0N	WA23-5	WA23-14
10-497100-43	327	P	4/0	WA23-7	WA23-16
10-497102-43	328	P	4/0N	WA23-7	WA23-16
10-497101-6	329	S	6	WA23-3	WA23-10
10-497223-6	330	S	6G	WA23-3	WA23-10
10-497101-4	331	S	4	WA23-4	WA23-12
10-497223-4	332	S	4G	WA23-4	WA23-12
10-497101-3	333	S	1/0	WA23-5	WA23-14

CONTACT PART #	BIN CODE	TYPE P/S	SIZE	DIE ASSEMBLY	POSITIONER
Burdny Corporation (FCI)					
10-497101-43	335	S	4/0	WA23-7	WA23-16
B559-01-3	318	P	6N	WA23-3	WA23-10
B559-01-6	319	P	6	WA23-3	WA23-10
B559-01-1	320	P	4	WA23-4	WA23-12
B559-01-2	321	P	4N	WA23-4	WA23-12
B559-01-10	322	P	4G	WA23-4	WA23-12
B559-01-4	323	P	1/0	WA23-5	WA23-14
B559-01-5	324	P	1/0N	WA23-5	WA23-14
B559-01-8	327	P	4/0	WA23-7	WA23-16
B559-01-9	328	P	4/0N	WA23-7	WA23-16
B560-01-2	329	S	6	WA23-3	WA23-10
B560-01-4	330	S	6G	WA23-3	WA23-10
B560-01-1	331	S	4	WA23-4	WA23-12
B560-01-6	322	S	4G	WA23-4	WA23-12
B560-01-3	333	S	1/0	WA23-5	WA23-14
B560-01-5	335	S	4/0	WA23-7	WA23-16

CONTACT PART #	BIN CODE	TYPE P/S	SIZE	DIE ASSEMBLY	POSITIONER
ITT Cannon					
030-3198-003	214	P	8	WA23-2	WA23-9
030-3199-004	215	P	4	WA23-4	WA23-11
030-3200-003	216	P	0	WA23-5	WA23-13
031-3116-003	220	S	8	WA23-2	WA23-9
031-3117-003	221	S	4	WA23-4	WA23-11
031-3118-003	222	S	0	WA23-5	WA23-13

CONTACT PART #	BIN CODE	TYPE P/S	SIZE	DIE ASSEMBLY	POSITIONER
Matrix Science/Amphenol					
5000-029-0008	214	P	8	WA23-2	WA23-9
5000-029-0004	215	P	4	WA23-4	WA23-11
5000-029-0000	216	P	0	WA23-5	WA23-13
5100-033-0008	220	S	8	WA23-2	WA23-9
5100-033-0004	221	S	4	WA23-4	WA23-11
5100-033-0000	222	S	0	WA23-5	WA23-13

CONTACT PART #	BIN CODE	TYPE P/S	SIZE	DIE ASSEMBLY	POSITIONER
Tri-Star					
916-0808-093	214	P	8	WA23-2	WA23-9
916-0404-094	215	P	4	WA23-4	WA23-11
916-0000-095	216	P	0	WA23-5	WA23-13
915-0808-093	220	S	8	WA23-2	WA23-9
915-0404-094	221	S	4	WA23-4	WA23-11
915-0000-095	222	S	0	WA23-5	WA23-13
915-0606-595	317	P	6	WA23-3	WA23-10
915-0606-596	318	P	6N	WA23-3	WA23-10
915-0606-597	319	P	6G	WA23-3	WA23-10
915-0404-576	320	P	4	WA23-4	WA23-12
915-0404-577	321	P	4N	WA23-4	WA23-12
915-0404-578	322	P	4G	WA23-4	WA23-12
915-1001-498	323	P	1/0	WA23-5	WA23-14
915-1001-499	324	P	1/0N	WA23-5	WA23-14
915-2020-579	325	P	2/0	WA23-6	WA23-15
915-2020-580	326	P	2/0N	WA23-6	WA23-15
915-4040-598	327	P	4/0	WA23-7	WA23-16
915-4040-599	328	P	4/0N	WA23-7	WA23-16
916-0606-595	329	S	6	WA23-3	WA23-10
916-0606-597	330	S	6G	WA23-3	WA23-10
916-0404-576	331	S	4	WA23-4	WA23-12
916-0404-578	332	S	4G	WA23-4	WA23-12
916-1001-498	333	S	1/0	WA23-5	WA23-14
916-2020-579	334	S	2/0	WA23-6	WA23-15
916-4040-598	335	S	4/0	WA23-7	WA23-16