



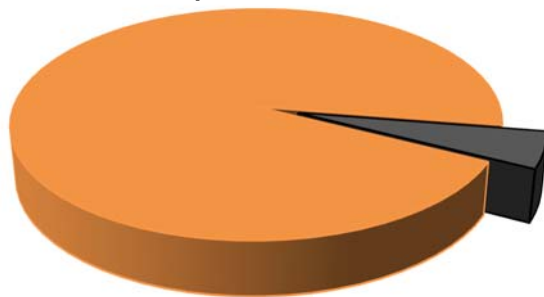
**VFX-1000  
Data Sheet and  
Configuration Guide**



## Why Fume Extraction?

Solder smoke is more than just an irritant. It can reduce worker productivity through a loss of concentration and fatigue. These and other health concerns, occupational asthma as an example, may be a result of exposure to solder fumes during the production process. As an employer, you are responsible for properly managing the health risks associated with solder fumes, and take appropriate precautionary measures. Solder fume extraction is a simple way to manage the risks to employees and your organization

### Solder Fume Composition



Particulates, 95%

Gases, 5%:  
 Acetone  
 Methyl Alcohol  
 Formaldehyde  
 Carbon Dioxide  
 Diterpine Acid  
 Carbon Monoxide  
 Isopropyl Alcohol

### Risks to Employees



Headache



Eye Irritation



Sore Throat



Nose Bleeds



Dermatitis &  
Acne



Occupational  
Asthma &  
Respiratory  
Irritation

## Systems

### VFX-1000-H

VFX-1000 with HEPA Filter

### VFX-1000-G

VFX-1000 with Deep Bed Gas Filter



## Technical Specifications

Volume Fume Extraction System	
Ambient Operating Temperature	10 to 40°C
Maximum Enclosure Temperature	55°C
Input Line Voltage	100-240 VAC, grounded circuit
Output Frequency	50/60 Hz
Power	12.5 amps / 1.1 kW
Noise	<54dBA
Airflow/Pressure	350 m <sup>3</sup> /hr / 96 mbar (206 CFm / 96 mbar)
Certification / Marking	TUV, CE
Dimensions w x d x h	590 x 375 x 415 mm 23.2 x 14.8 x 16.3"
Weight	35 Kgs (77 lbs)



The selection of the fume capture device should be guided by your application and work habits.

System performance is a function of the following factors and will decrease if

- Hose Diameters decrease
- Length of ducting increases
- Number of 90° bend increases
- Number of arms increases

All exhaust arms are made of ESD material and are supplied with appropriate mounting accessories. The design allows for mounting the arms to a variety of surfaces.

## Nozzle Selection

Round/Funnel	Point and small area extraction for <ul style="list-style-type: none"> <li>• Soldering</li> <li>• Gluing/Bonding</li> <li>• Laser marking Fumes</li> </ul>
Oval	Point extraction for <ul style="list-style-type: none"> <li>• Soldering under a microscope</li> <li>• Laser marking Fumes</li> </ul>
Rectangular	Area extraction for <ul style="list-style-type: none"> <li>• Soldering</li> <li>• Gluing/Bonding</li> <li>• Solder Pots</li> <li>• Solvent Vapors</li> </ul>
Large Rectangular/ Large Hood	Large area extraction for <ul style="list-style-type: none"> <li>• Soldering of large boards</li> <li>• Large Solder Pots</li> <li>• Gluing/Bonding</li> <li>• Solvent Vapors</li> </ul>
Plenum/Funnel	Area extraction for <ul style="list-style-type: none"> <li>• Soldering</li> <li>• Gluing/Bonding</li> <li>• Solder Pots</li> <li>• Solvent Vapors</li> </ul>
Cabinet	Area extraction for <ul style="list-style-type: none"> <li>• Volatile gases</li> <li>• Toxic gases</li> <li>• Odors</li> </ul>

## Configure your System

1	Determine # of Users and Application Requirement	
2	Select System	VFX-1000-H, Fume Extraction with HEPA Filter
		VFX-1000-G, Fume Extraction with Deep Bed Gas Filter
3	Select Arm(s) or Cabinet	
4	Add 1x AC-VFX-HK75 per arm for 32mm and 50mm arms	
	Add 1x AC-VFX-HK7563 per 63mm arms	
	Add 2x AC-VFX-HS7525 per AC-VFX-CAB-75	
5	Select optional accessories, as needed	

## Fume Extraction Cabinet

### CABINET

Fume extraction cabinets are recommended for the capture of volatile gases and strong odors.

AC-VFX-CAB-75	Fume Extraction Cabinet with LED lighting & 2x 75 mm Dia, 1.5 m length hoses and 2x hose clamps
---------------	---

### ADAPTER

AC-VFX-75X75	75 mm to 75 mm extension
--------------	--------------------------

### Technical Data

Dimensions (HxWxD)	350 x 540 x 360 mm (13.4" x 21.3" x 14.7")
Opening Dimensions	315 x 540 mm (12.4" x 12.3")

### Configuration

2 ports per unit



x1 AC-VFX-HS7525 per port

## 32MM Arms

### ARMS

AC-VFX-ARM-32F	32 mm Dia. Arm, 650 mm long w/rnd funnel, blk
AC-VFX-ARM-32N	32 mm Dia. Arm, 650 mm long w/oval nozzle, blk

### ADAPTER/HOSE KITS

AC-VFX-HK75	Hose Kit with 75 mm Dia. to 50 mm Dia. adapter
-------------	--

### Configuration

#### Adapter/Hose Kit

Up to 7 arms per system

Up to 4 arms per port



x1 AC-VFX-HK75 per arm



## 50MM Arms

### ARMS



AC-VFX-ARM-RF	50 mm Dia. Arm, 650 mm long w/rnd funnel, blk
AC-VFX-ARM-PF	50 mm Dia. Arm, 650 mm long w/ plenum/funnel, blk
AC-VFX-ARM-LF	50 mm Dia. Arm, 650 mm long w/rnd funnel, LED, blk

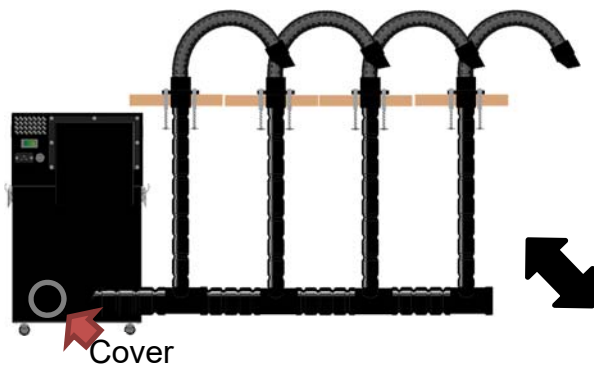
### ADAPTER/HOSE KITS

AC-VFX-HK75	Hose Kit with 75 mm Dia. to 50 mm Dia. adapter
-------------	--

### ACCESSORIES

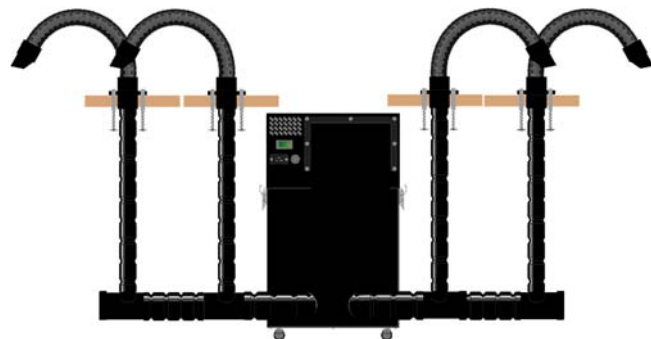
AC-VFX-HS7525	Hose 75 mm Dia. 2.5 m length
---------------	------------------------------

Configuration	Adapter/Hose Kit	
<p>Upto 5 arms per system</p> <p>Upto 4 arms per port</p>	 <p>x1 AC-VFX-HK75 per arm</p>	



#### Example Configuration:

- VFX-1000-H
- 4 AC-VFX-ARM-RF
- 4 AC-VFX-HK75



## 63MM Arms

### ARMS

AC-VFX-ARM-ORN	Omniflex Arm with Rectangular Nozzle, 63 mm Dia. hose (1m), bracket, C-clamps & hose clamp
AC-VFX-ARM-OTN	Omniflex Arm with Oval Nozzle 63 mm Dia. hose (1m), bracket, C-clamps & hose clamp
AC-VFX-ARM-OLH	Omniflex Arm with Large Hood, 63 mm Dia. hose (1m), bracket, C-clamps & hose clamp

### ADAPTER/HOSE KITS

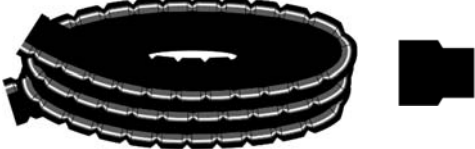
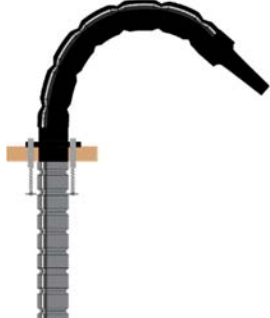

AC-VFX-HK7563	Hose Kit with 75 mm Dia. to 63 mm Dia. adapter
---------------	--

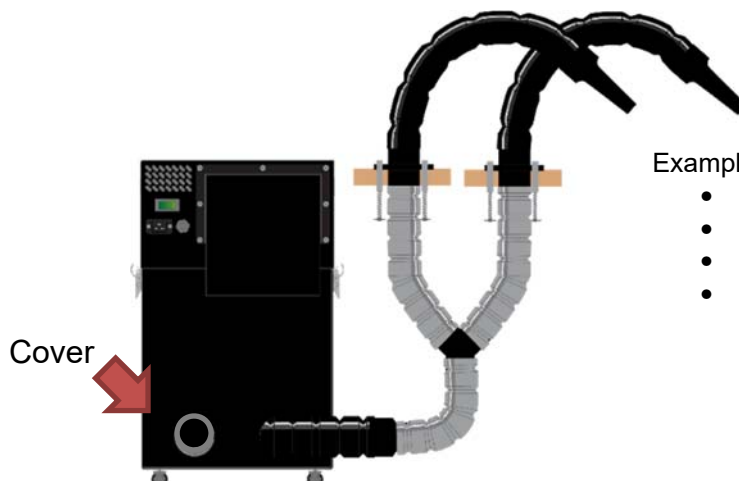
### ACCESSORIES

AC-VFX-YAD63	Y Adapter, 63 mm Dia. with Hose (305 mm) and 3x hose clamps		
Q-AD426530	Replacement nozzle – Rectangular		
Q-AD426550	Replacement nozzle – Tapered		
Q-AD426560	Replacement nozzle – Large Hood		
AC1101	Damper for Omniflex Arm	AC1102	Omniflex Arm Extension 30 cm
CH0251	Connection Hose 2.5m x 63 mm Dia. with hose clamps	CH0252	Connection Hose 3.5 m x 63 mm Dia. with hose clamps
CH0253	Connection Hose 7.5m x 63 mm Dia. with hose clamps	AC2025	63 mm dia. Y Adapter

### Configuration

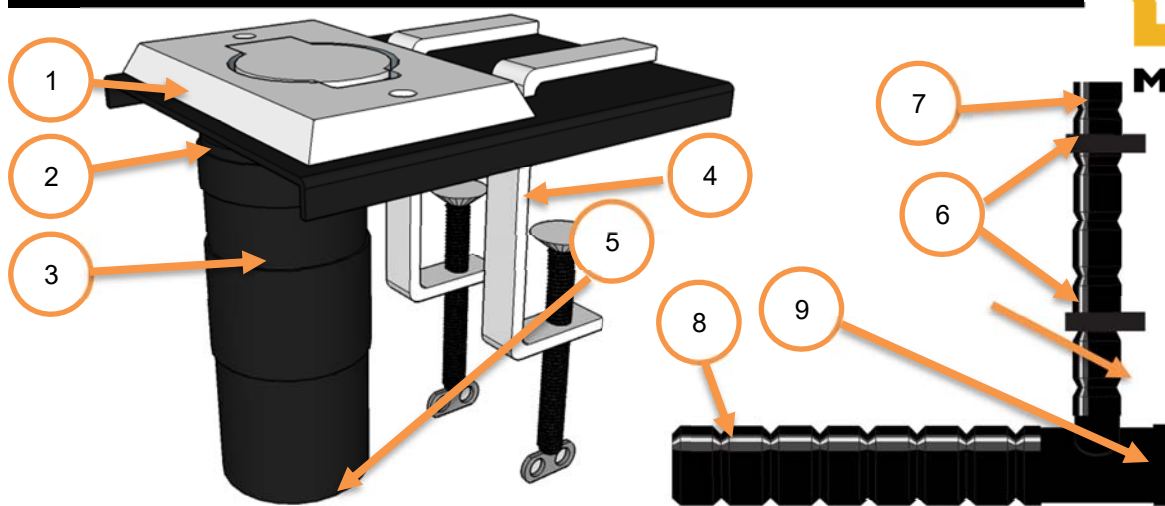
### Adapter/Hose Kit

Up to 4 arms per system Upto 2 arms per VFX port	 x1 AC-VFX-HK7563 per port	
	 x1 AC-VFX-YAD63 per 2 arms	

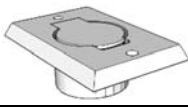
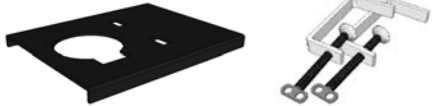





#### Example Configuration:

- VFX-1000-G
- 2 AC-VFX-ARM-OTN,
- 1 AC-VFX-HK7563
- 1 AC-VFX-YAD63



### AC-VFX-HK75

	Description	QTY	
1	AC-VFX-HK75CONN Arm Connection Receptacle with Seal and Hardware	1	
2	AC-VFX-HK75BRK Bracket with 2 clamps	1	
3	AC-VFX-HK75RED 50-40 Reducer	1	
4	AC-VFX-HK75HC Hose Clamp	1	
5	AC-VFX-HK75CL 50 mm Hose Clip	1	
6	AC-VFX-HK75H50 50 mm Flexible Hose, 1m	1	
7	AC-VFX-HK75H75 75 mm Flexible Hose, 2.5m	1	
8	AC-VFX-HK75TCONN 75x50x75 mm T Connector and Cover	1	
9	AC-VFX-HK75CAP 75mm Cap	1	
10	AC-VFX-HK75CUFF75 75mm Connection Cuff	1	<b>Not Shown</b>
11	AC-VFX-HK75CUFF50 50mm Connection Cuff	1	<b>Not Shown</b>



## Replacement Filters

### AC-VFX-FIL-PRE

#### Deep Pleat Pre-Filter Specification

Surface Media Area	6m <sup>2</sup> approx.
Filter Media	Glass Fibre
Filter Media Construction	Folded
Filter Efficiency	F8 (95% @ 0.9 microns)
Power	12.5 amps / 1.1 kW



### AC-VFX-FIL-HEPA

#### Combined HEPA Filter Specification

HEPA Filter Media	Glass Fibre
HEPA Media Construction	Maxi Pleat Construction with Webbing Spacers
Gas Filter	Treated Activated Carbon
Filter Housing	Zintec Mild Steel
Filter Efficiency	99.997% @ 0.3 microns



### AC-VFX-FIL-GAS

#### Deep Bed Gas Filter Specification

Gas Filter	Activated Carbon
Filter Housing	Zintec Mild Steel
Filter Efficiency	99.997% @ 0.3 microns

